



SERVER GATEWAY DMX for CONTROL4 INTEGRATION

Bus ETHERNET	10/100 Mbit
Bus DMX 512	1 DMX Univers (512 ch) x 2 optoisolated output
Supply Voltage	12-24-48 Vdc or POE
Local input	8 local input assignable to channels or scenes

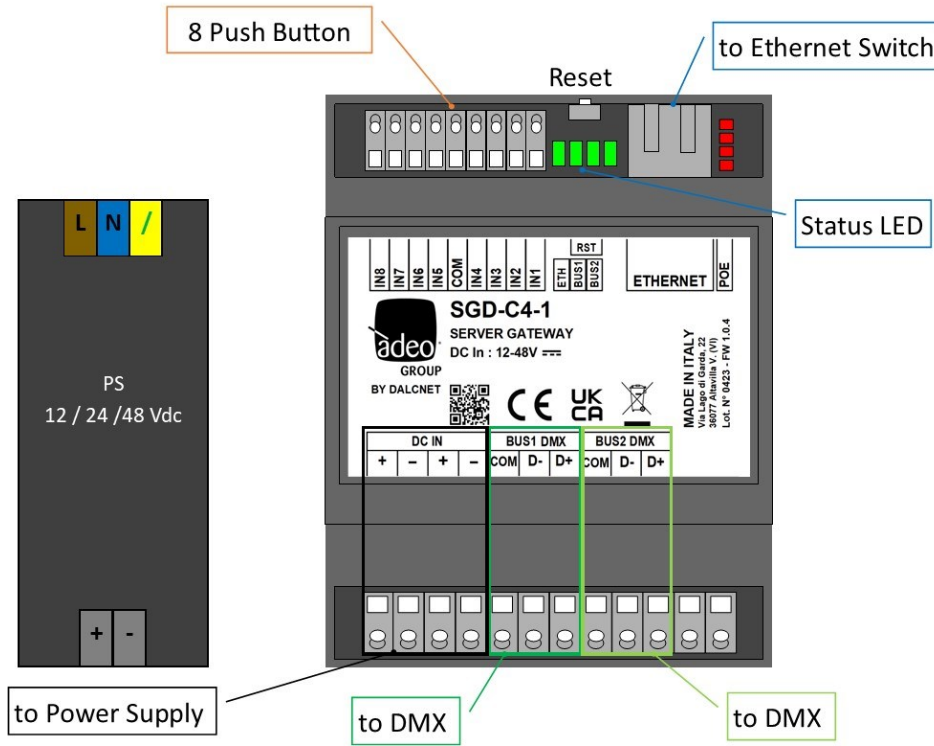
Normative di riferimento / Reference Standards

EN 55015	Limits and methods of measurement of radio disturbance characteristics of electrical lighting and similar equipment
EN 61547	Equipment for general lighting purposes – EMC immunity requirements
EN 61347-1	Lamp controlgear – Part 1: General and safety requirements
ANSI E1.11	Entertainment Technology – USITT DMX512-A Asynchronous Serial Digital Data Transmission Standard for Controlling Lighting Equipment and Accessories

Specifiche tecniche / Technical Data

Tensione di alimentazione - Supply Voltage	min: 10.8 Vdc .. max: 50,2 Vdc or POE (better with DMX)																	
Corrente assorbita - Input Current	<table border="1"> <thead> <tr> <th>voltage</th> <th>min</th> <th>Typ*</th> <th>max</th> </tr> </thead> <tbody> <tr> <td>@ 12Vdc</td> <td>110mA (1,2W)</td> <td>320mA (3,84W)</td> <td rowspan="3">500mA</td> </tr> <tr> <td>@ 24Vdc</td> <td>60mA (1,44W)</td> <td>160mA (3,84W)</td> </tr> <tr> <td>@ 48Vdc</td> <td>40mA (1,92W)</td> <td>80mA (3,84W)</td> </tr> </tbody> </table> <p>*ethernet and all bus at full load</p>				voltage	min	Typ*	max	@ 12Vdc	110mA (1,2W)	320mA (3,84W)	500mA	@ 24Vdc	60mA (1,44W)	160mA (3,84W)	@ 48Vdc	40mA (1,92W)	80mA (3,84W)
voltage	min	Typ*	max															
@ 12Vdc	110mA (1,2W)	320mA (3,84W)	500mA															
@ 24Vdc	60mA (1,44W)	160mA (3,84W)																
@ 48Vdc	40mA (1,92W)	80mA (3,84W)																
Temperatura di stoccaggio - Storage temperature	min: -40 max: +60 °C																	
Temperatura di esercizio - Working temperature	min: -40 max: +40 °C																	
Grado di protezione - Protection Grade	ALUMINIUM BOX: IP20 - PLASTIC BOX IP10																	
Peso - Weight	ALUMINIUM BOX: 230g - PLASTIC BOX 125g																	
Dimensioni Meccaniche - Mechanical dimensions	ALUMINIUM BOX: 105x70x47 - PLASTIC BOX: DIN RAIL 4mod.																	
ETHERNET	10/100 Mbit baseT FULL DUPLEX AUTO NEGOTIATION																	
DMX	1 DMX Univers (512 ch) x 2 optoisolated output																	

Installazione / Installation

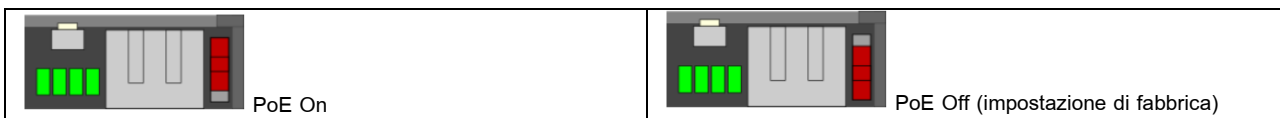


LED di stato – Status LED

	LED1(left)	LED2	LED3
FUNCTION	Ethernet	BUS1(DMX/RTU)	BUS2(DMX/RTU)
ON	Connected with ethernet communication	Connected with communication	Connected with communication
Flashing	Connected without communication	Connected without communication (only RTU)	Connected without communication (only RTU)
OFF	Not connected	Not connected	Not connected

POWER OVER ETHERNET PASSIVO (POE)

Per abilitare l'alimentazione POE è sufficiente spostare il selettore verso l'alto / To enable PoE power supply, simply move the selector upwards.



Per qualsiasi tipo di supporto contattare / For any type of support contact

info@adeogroup.it