

Bus Ethernet Gateway Installation Guide



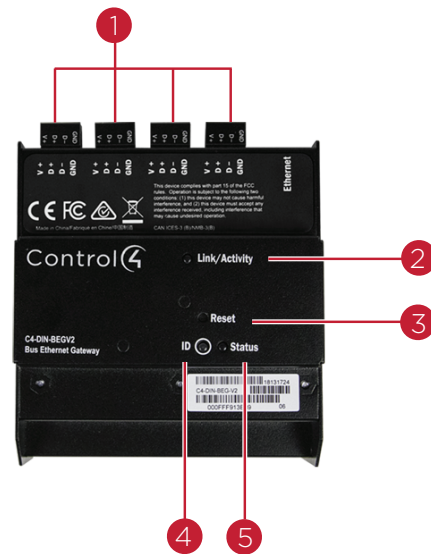
Requirements and specifications

Prior to installing this product, ensure that the Control4 5-Slot or 2-Slot Panel or the cabinet to house the gateway has been installed.

Power input	48VDC
Power consumption	1.0W
Communications	10/100 Ethernet
Connections	One Ethernet, RJ-45 Four RS-485 pluggable terminal blocks 36 AWG to 14 AWG (0.14 mm to 1.5 mm)
Operating temperature	32°F to 104°F (0°C to 40°C)
Humidity	5% to 95% non-condensing
Storage	-4°F to 158°F (-20°C to 70°C)
Dimensions (H x W x D)	4.28 x 4.48 x 2.15 in. (108.6 mm x 113.9 mm x 54.6 mm)
DIN module width	6M
Weight	1.20 lbs (0.54 kg)
Shipping weight	1.55 lbs (0.70 kg)

Front view

Figure 1: Front view



- 1 4 x RS-485 pluggable connectors
- 2 Link/Activity LED
- 3 Reset button (recessed)
- 4 Module ID button
- 5 Module Status LED

Pre-installation instructions

Before you install in a Control4 panel

- 1 Use Composer Pro to add the Bus Ethernet Gateway to a project, define its location in a panel, and print the panel report. See the *Composer Pro User Guide* (ctrl4.co/cpro-ug) for details.
- 2 Install the panel following the instructions in the *5-Slot and 2-Slot Panel Installation Guide* (ctrl4.co/panelinstall).

Before you install in a third-party DIN rail panel

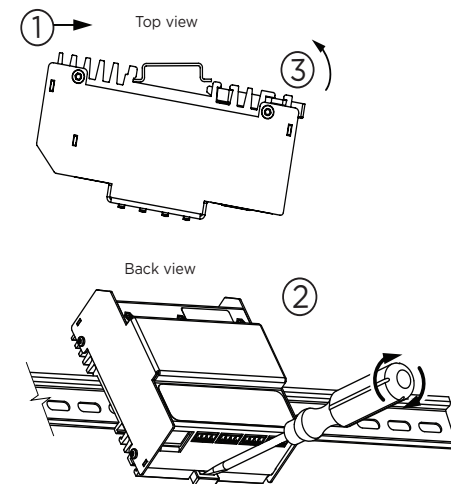
- 1 Install the third-party panel according to the third-party instructions.

Installation instructions

Install in a Control4 Panel

- 1 With the Ethernet port facing right, hold the Bus Ethernet Gateway upright and angle it to the left so that the left side of the module fits onto the rail in the panel (see Figure 2).

Figure 2: Snap on the Bus Ethernet Gateway - Control4 Panels



- 2 With the left side already in place, use a flat blade screwdriver to move the latch.
- 3 While pressing forward on the right side of the Bus Ethernet Gateway, release the latch to secure it onto the rail.

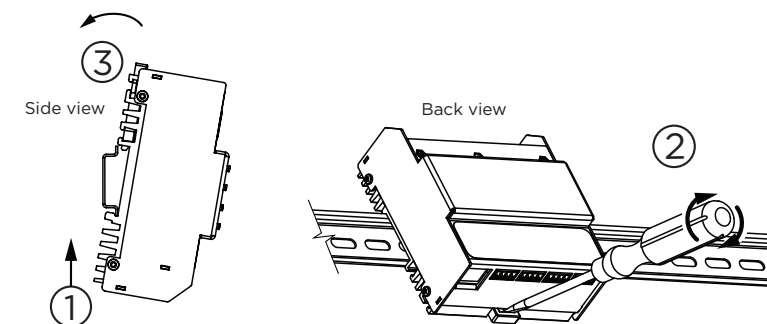
Note: To remove the module, use a flat blade screwdriver to move the latch, pull it out from the right side, and remove it from the left side.

Installing the module horizontally in a third-party panel

Third-party DIN rails can be mounted in any orientation; however, these instructions assume a horizontal orientation.

- 1 With the Ethernet port facing up, hold the module lengthwise and angle it down so that the bottom side of the module fits onto the rail (see Figure 3).
- 2 With the bottom side already in place, use a flat blade screwdriver to move the latch.
- 3 While rotating it upward, release the latch to secure it onto the rail.

Figure 3: Snap on the Bus Ethernet Gateway - third-party panels



Note: To remove the module, push the module toward the bottom, rotate the module up, and lift it off.

- 4 On the top of the Bus Ethernet Gateway, connect the Ethernet Cat5 cable to the RJ-45 port.
- 5 Install the other modules in the panel as defined in their respective installation guides.

Wiring diagrams

For information about bus wiring details, refer to the *Keypad Bus Wiring Guide*.

Operations and configuration

Button taps

Function	Button taps
Identify	4
Factory reset	9
Reboot	15

LED indicators

The indicator lights on the front of the Bus Ethernet Gateway communicate the status of the device.

Indicator	Color	Status	Notes
Status	Blue	Power on	
	Black	No power	
Link/Activity	Solid green	Link	
	Orange	Activity	
	Flashing green	Firmware is updating	Flashing gets faster as the update proceeds
	Flashing red	No link	

Reset button



Note: The Reset button is recessed and must be pressed using a paperclip or similar device. A single press of the Reset button is equivalent to powering the Bus Ethernet Gateway off and back on.

Regulatory/safety compliance

To review regulatory information for your particular Control4 products, see the information located on the Control4 website at: ctrl4.co/reg.

Warranty

For complete warranty information, including details on consumer legal rights as well as warranty exclusions visit ctrl4.co/warranty.

Introduction

The Control4® Bus Ethernet Gateway (C4-DIN-BEG-V2) is intended for use in a Control4 system. This device installs in a Control4 Centralized Lighting panel or in any standard DIN rail panel with 35 mm rails. The Bus Ethernet Gateway provides the communication bridge between keypads on the RS-485 bus and the Control4 system. For RS-485 wiring topologies, refer to the Keypad Bus Wiring Guide (ctrl4.co/buswiring).

Box contents

- Bus Ethernet Gateway
- Four pluggable terminal blocks

Warnings and considerations

Warning! Improper use or installation can cause *serious injury, death, or loss/damage of property.*

Attention! Une mauvaise utilisation ou installation peut entraîner des blessures graves, décès, ou perte / dommages à la propriété.

Warning! Disconnect the power for all lines feeding into the panel before installing this device.

Attention! Assurez-vous que tous les disjoncteurs d'alimentation dans le panneau sont éteints avant d'installer l'appareil.

Important! Using this product in a manner other than outlined in this document voids your warranty. Further, Control4 is *not* liable for any damage incurred with the misuse of this product. See "Troubleshooting."

Important! This is an electronic device with intricate components. Handle and install with care!