

Tile HDMI with USB Panel (See Figure 1) is a panel equipped with HDMI and USB interface.

- With HDMI and USB interface
- Provide signal transmission interface for HDMI and USB interface devices

Components

Dimensions - See Figure 2 - 3

Components - See Figure 4

1. USB output interface
2. HDMI output interface
3. USB input interface
4. HDMI input interface

Important Notes

- The panel should be wall box mounted.
- During installation, please place and store the panel properly to prevent crush damage.
- Please do not wipe the panel and the interface with corrosive liquid, so as not to cause damage to the interface of the panel; just wipe the dust on the panel with a dry cloth.

Safety Precautions

- The installation and testing for the product must be carried out by HDL Automation Co., Ltd. or its appointed service agencies. The electric construction shall comply with local laws and safety regulations.
- The device should be wall box mounted. HDL will not be responsible for any consequence caused by the inexpert or faulty installation and wiring methods, which are not in accordance with the instructions contained in this operating instruction.
- Please do not privately disassemble or replace any parts of the product. Otherwise, it may cause mechanical fault, electric shock, fire or personal injuries.
- Please contact our after-sales departments or our designated service agencies for your maintenance service. Product failures caused by private disassembly are not subject to this warranty.

Package Contents

Panel*1 / Short screw*2 / Long screw*2 / Datasheet*1

Product Name	Model No.
Tile HDMI with USB Panel	HDL-MP1-USB-HDM/TILE.48
Tile Series 1-Gang Panel Frame	HDL-MP1-EC/TILE.48

Datasheet

Issued: January 13, 2022

File Edition: A



Figure 1. Tile HDMI with USB Panel

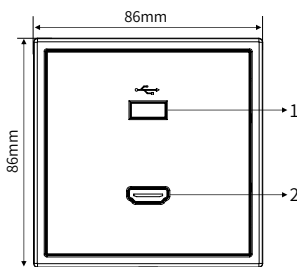


Figure 2. Dimensions - Front View

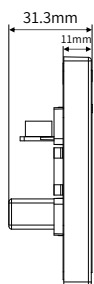


Figure 3. Dimensions - Side View

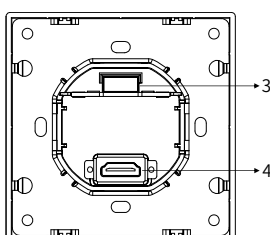


Figure 4. Components - Back View

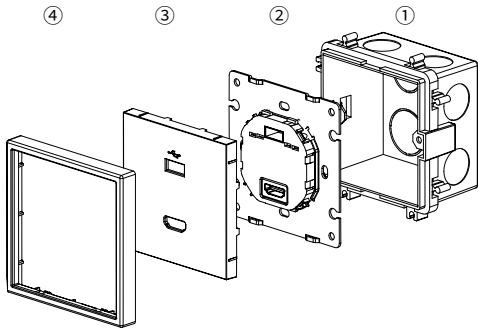


Figure 5. Installation

Frame information

Metal panels can be installed either horizontally or vertically.

Plastic panels can be only installed horizontally.

Product Name	Frame Types	Gang	Dimensions
2/3/4-gang frames	Metal	2 gang	176*90*11(mm)
		3 gang	262*90*11(mm)
		4 gang	348*90*11(mm)
	Plastic	2 gang	172*86*11(mm)
		3 gang	258*86*11(mm)
		4 gang	344*86*11(mm)

Technical Data

Basic Parameters

HDMI interface type	Female to female
HDMI interface transmission protocol	HDMI2.0
USB interface type	Female to female
USB interface transmission protocol	USB2.0
Life time	More than 1,000 plugs

External Environment

Working temperature	-5°C~45°C
Working relative humidity	≤90%
Storage temperature	-20°C~60°C
Storage relative humidity	≤93%

Specifications

Dimensions	86×86×31.3(mm) (With plastic frame) 90×90×31.3(mm) (With metal frame)
Net weight	90g (With plastic frame) 124g (With metal frame)
Housing material	Flame retardant PC
Installation	Wall box (See Figure 5)
Protection rating (Compliant with EN 60529)	IP40

Approved

CE, RoHS

Installation

Installation - See Figure 5

Step ①: Install the wall box in the wall.

Step ②: Secure the power interface into the wall box with screws.

Step ③: Install the panel cover on the power interface.

Step ④: Mount the frame around the socket.

Technical support

E-mail: hdltickets@hdlautomation.com

Website: <https://www.hdlautomation.com>

©Copyright by HDL Automation Co., Ltd. All rights reserved.
Specifications subject to change without notice.