

Mounting Hardware FP-Z30/FP-Z42/FP-100

<User Guide>
Ver.3.0.0

- Thank you for choosing our product.
- To ensure the best performance of this product, please read this user guide fully and carefully before using it and keep this manual together with the product for future reference as needed.

Before reading this manual

- All rights reserved.
- Some information contained in this document may differ depending on the product version.
- This User guide is subject to change without notice. You can download the latest version from IDK's website at: <http://www.idkav.com>

Caution

■ For installing products:



Prohibited

- **Do not use screws other than supplied screws.**
Failure to observe this precaution may result in damage to the product.

Included items

Ensure that all items listed below are included in the package.
If any items are missing or damaged, please contact IDK.

FP-Z30	
Mounting bracket	4
M3 screw (Binding head, M3xL5)	4

FP-100	
Mounting bracket	1
M3 screw (Flat head, M3xL5)	2

FP-Z42	
Mounting bracket	4
M3 screw (Binding head, M3xL5)	4

Precaution

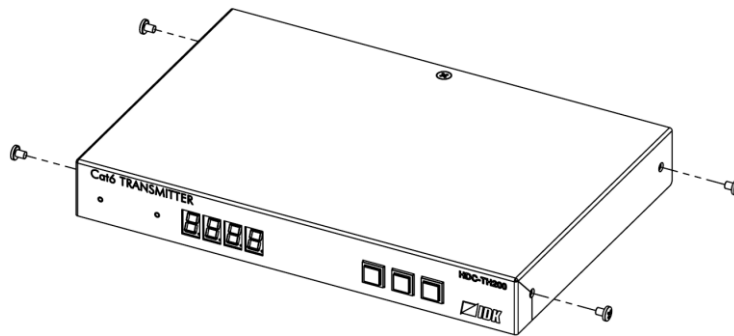
Please observe the following precautions.

- Power off all devices before installation.
- Remove the rubber feet from the bottom of the chassis, if any.
- Dissipate static electricity before installation. Failure to observe this precaution may result in ESD (electrostatic discharge) damage.
- Follow the installation guides below.
- The appropriate screw tightening torque is M3: 0.59 N·m (6.1 kgf·cm, approx.).
- Secure devices tightly in place.
- Do not block vent holes or cooling fans.

FP-Z30/FP-Z42

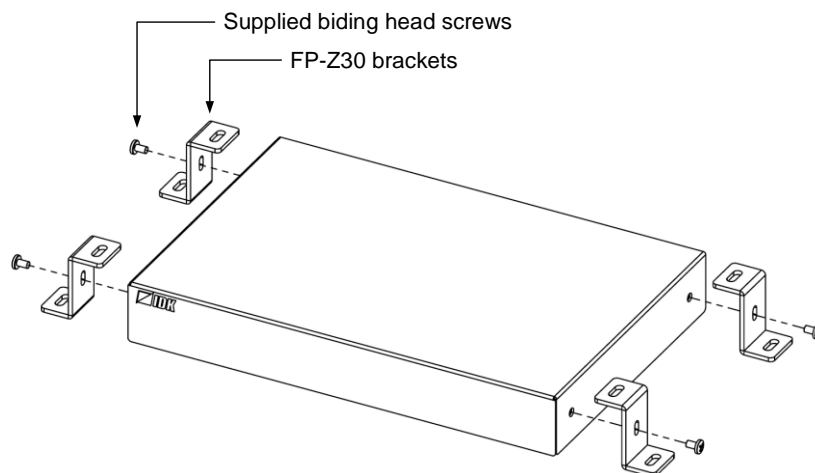
■ Installation

1. For devices originally having screws, remove the screws from their locations as illustrated below:

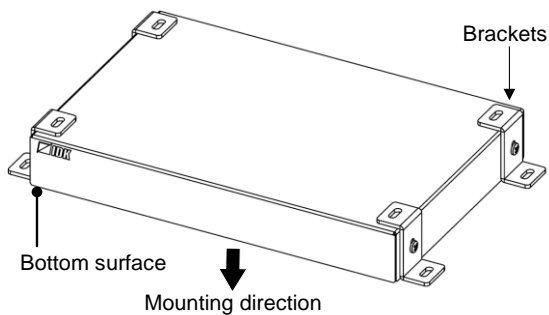


[Fig. 1] Removing screws

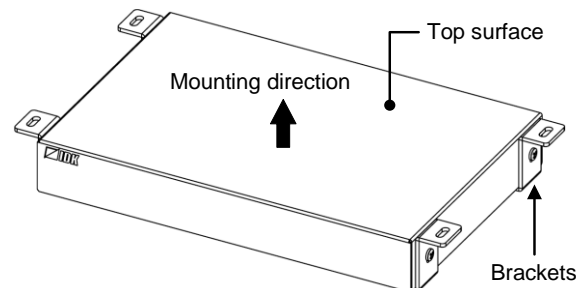
2. Attach the FP-Z30/FP-Z42 mounting brackets to the chassis using the four (4) supplied M3 screws as shown below:



- Mounting downward direction



- Mounting upward direction (Under-furniture mounting)

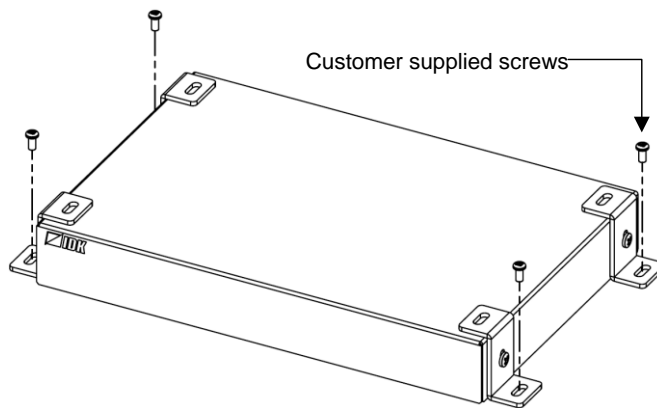


Note:

For some devices, mounting direction is not flexible.

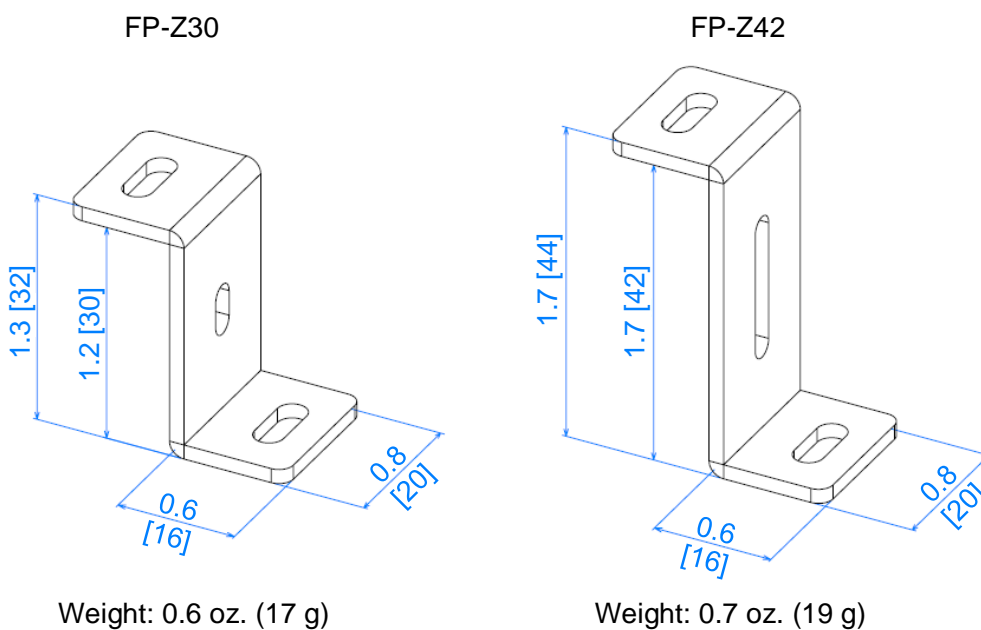
[Fig. 2] Attaching FP-Z30 brackets

3. Mount the chassis to furniture using appropriate customer supplied screws.



[Fig. 3] Mounting chassis

■ Dimension and weight



Unit: inch [mm]

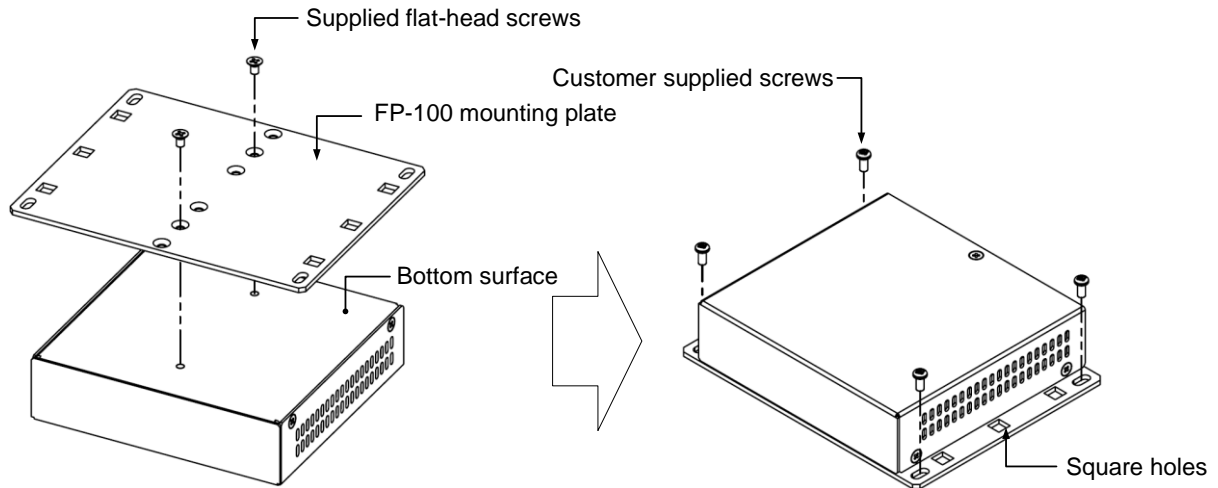
[Fig. 4] Dimension and weight

Refer to the “Dimension” in our web site for reference to obtain the dimensions of the hole that needs to be cut for the brackets.

FP-100

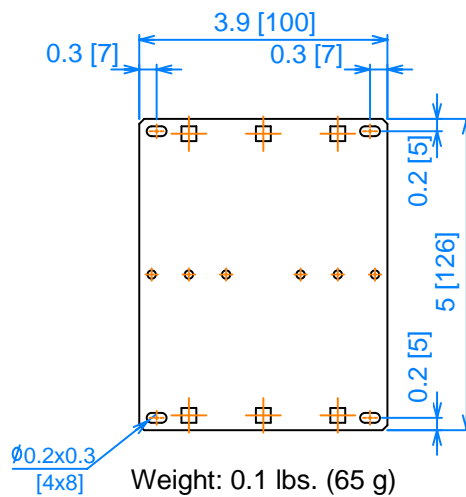
■ Installation

1. Attach the FP-100 mounting plate to the bottom surface of the chassis using two (2) supplied M3 screws.
2. Mount and secure the chassis to furniture using appropriate customer supplied screws. You can also secure the chassis by securing it with zip-ties through the six (6) square holes (0.2 in. (6 mm)).



[Fig. 5] Mounting chassis

■ Dimension and weight



Unit: inch [mm]

[Fig. 6] Dimensions and weight

User Guide of FP Series
Ver.3.0.0
Issued on: 1 February 2021



Headquarters

IDK Corporation
7-9-1 Chuo, Yamato-shi, Kanagawa-pref.
242-0021 JAPAN
TEL: +81-46-200-0764 FAX: +81-46-200-0765
URL: <http://www.idkav.com>

Email: idk_eng@idk.co.jp

USA

IDK America Inc.
72 Grays Bridge Road Suite 1-C, Brookfield, CT 06804
TEL: +1-203-204-2445
URL: <http://www.idkav.com>

Email: sales@idkav.com

Europe

IDK Europe GmbH
Lise-Meitner-Str. 6, D-40878 Ratingen
TEL: +49-2102-578-301-0
URL: <http://www.idkav.com>

Email: info@idkav.eu



**Product information
Support**

Arvanics Corporation
7-9-1 Chuo, Yamato-shi, Kanagawa-pref.
242-0021 JAPAN
TEL: +81-46-259-6920 FAX: +81-46-259-6930
URL: <http://www.arvanics.com>

Email: info@arvanics.com

Information in this document is subject to change without notice.
©2019 IDK Corporation, all rights reserved. All trademarks mentioned are the property of their respective owners.