

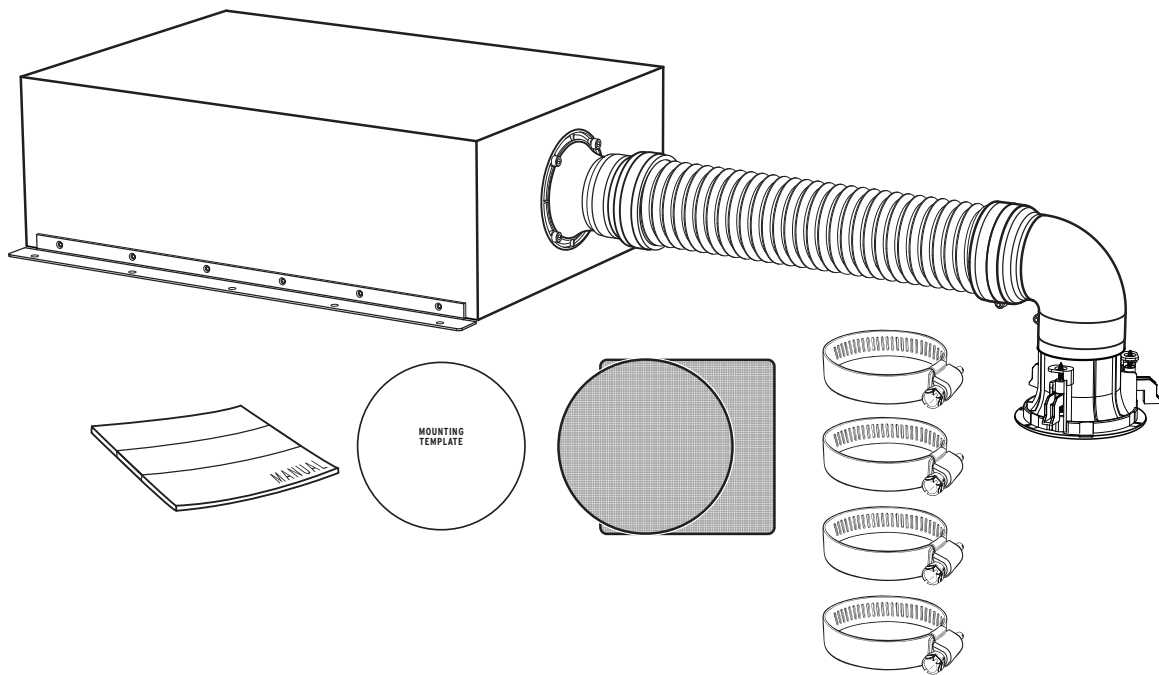


PRO-800SW
OWNERS MANUAL

Klipsch[®]
PROFESSIONAL SERIES

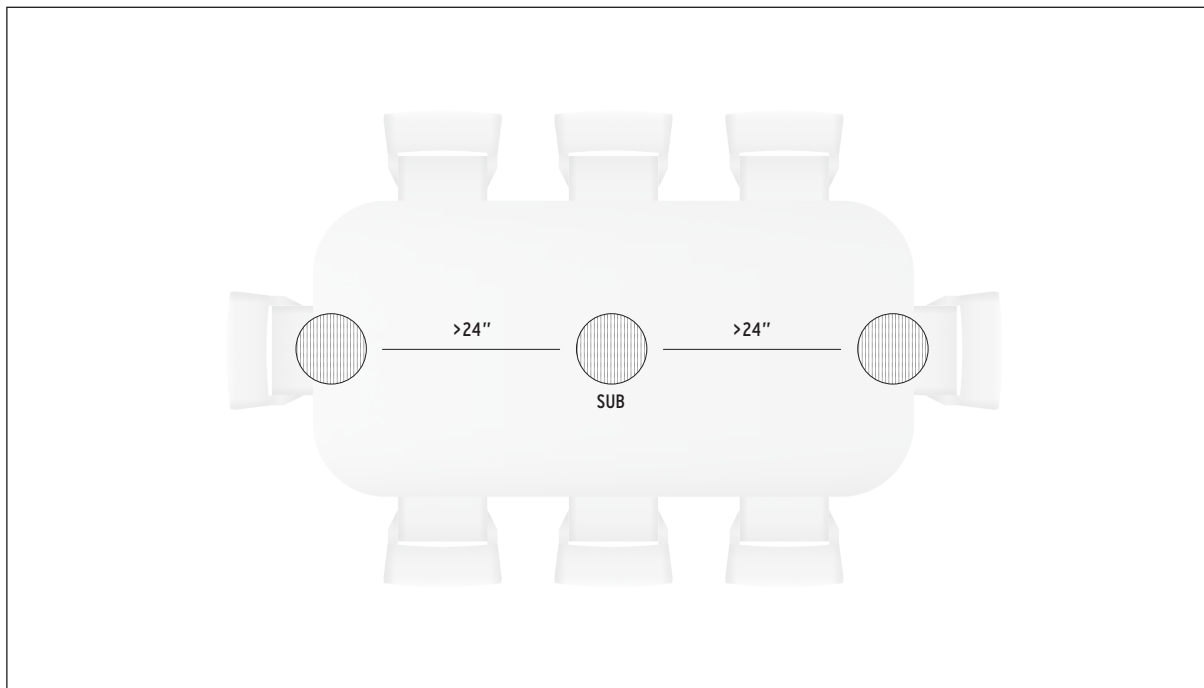
CONTENTS

CONTENTS CONTENU CONTENIDO INHALT CONTIENE CONTEÚDO 内容



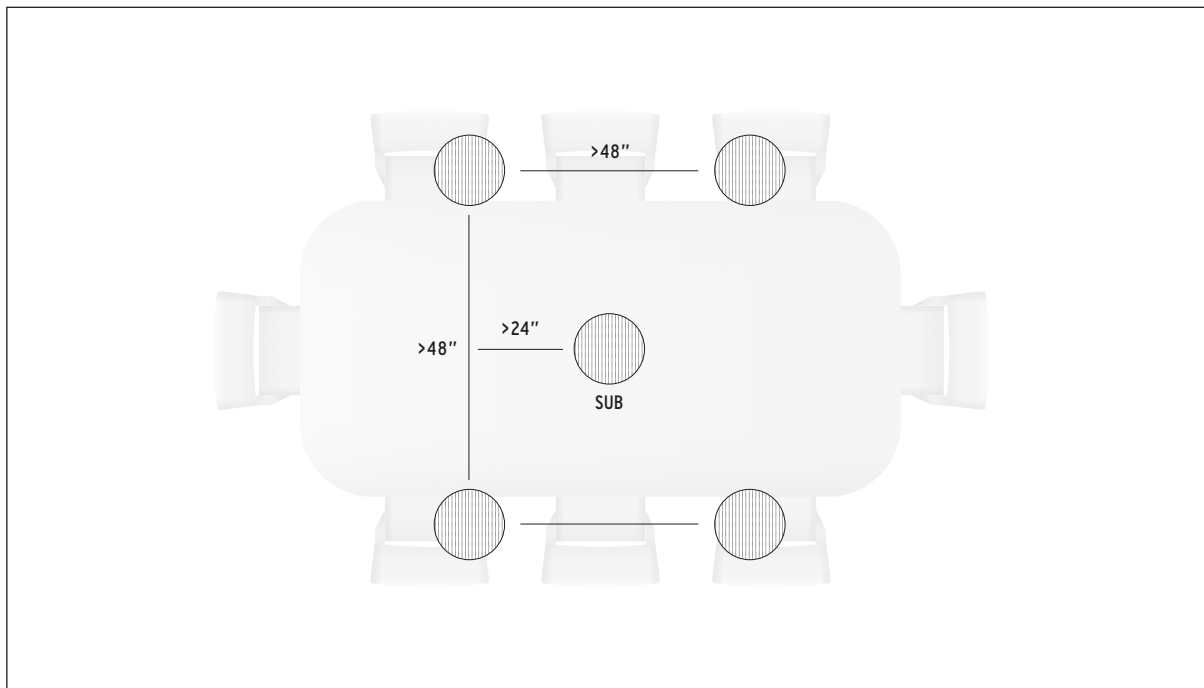
PLACEMENT 1 PRO-800SW WITH 2 FULL RANGE SPEAKERS

POSITIONNEMENT UBICACIÓN PLATZIERUNG POSIÇÃO COLLOCAZIONE 布置 الوضع



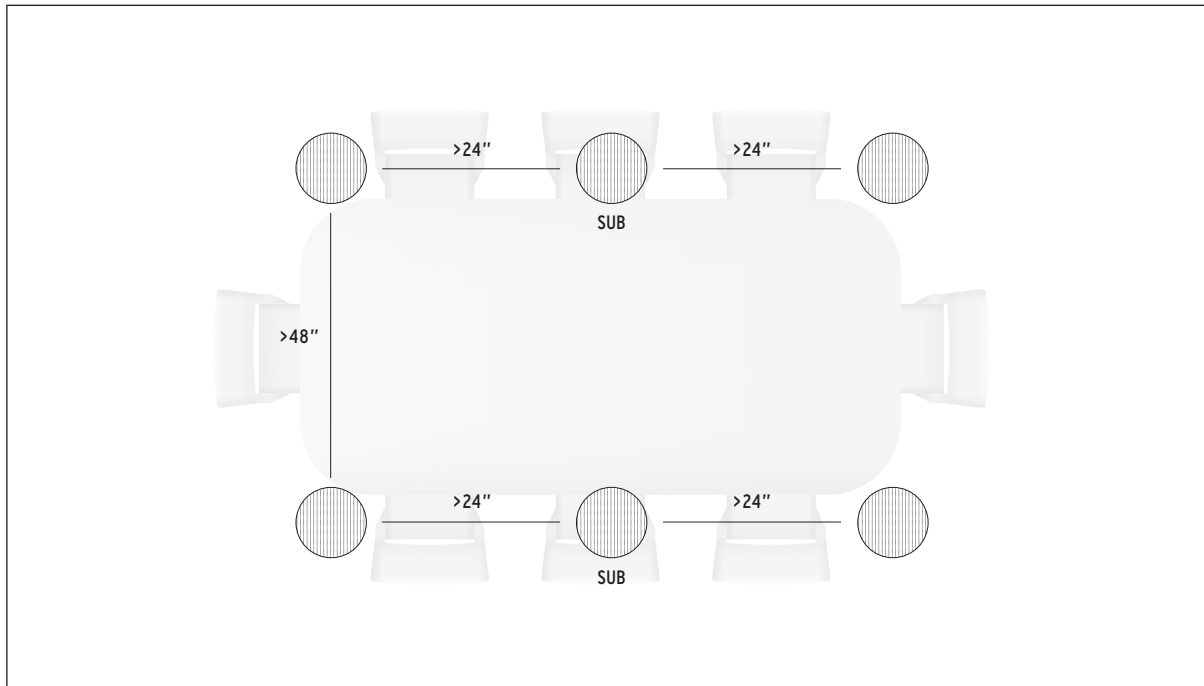
PLACEMENT 1 PRO-800SW WITH 4 FULL RANGE SPEAKERS

POSITIONNEMENT UBICACIÓN PLATZIERUNG POSIÇÃO COLLOCAZIONE 布置 الوضع



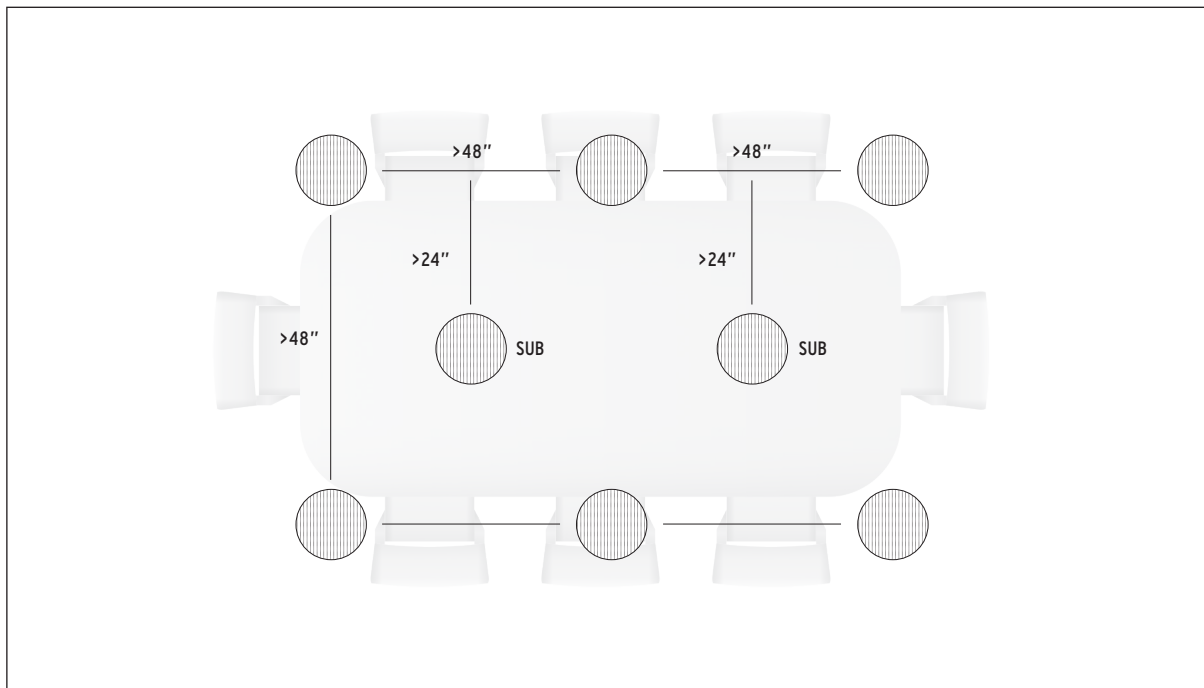
PLACEMENT 2 PRO-800SW WITH 4 FULL RANGE SPEAKERS

POSITIONNEMENT UBICACIÓN PLATZIERUNG POSIÇÃO COLLOCAZIONE 布置 الوضع



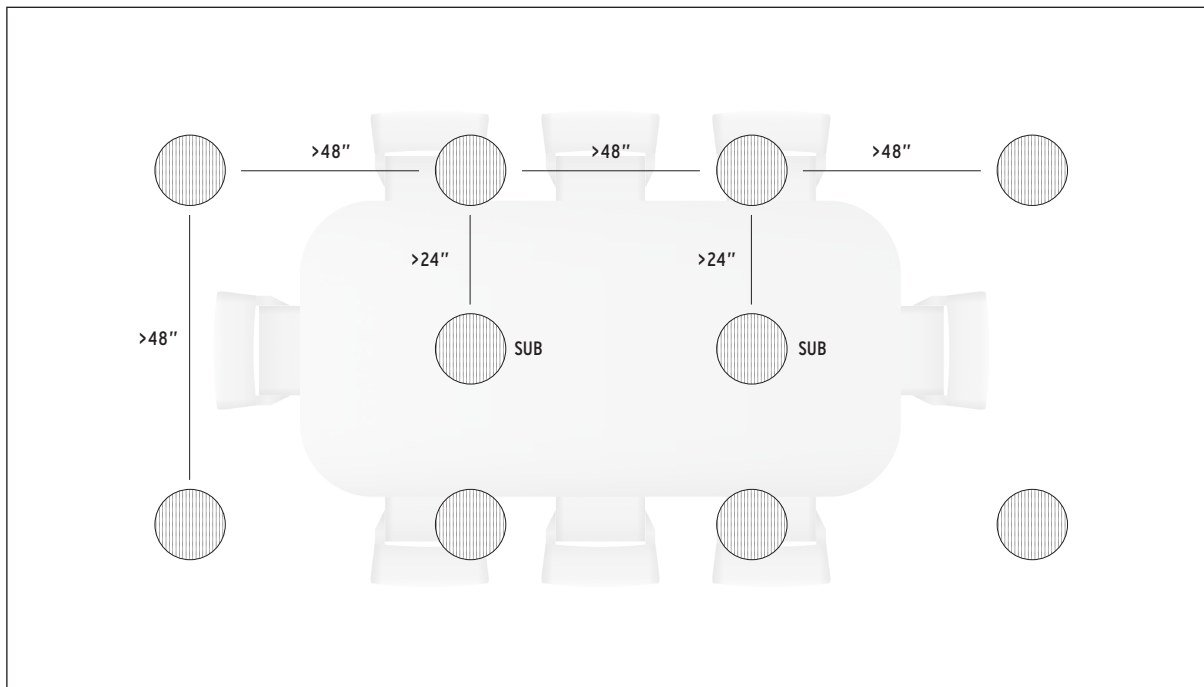
PLACEMENT 2 PRO-800SW WITH 6 FULL RANGE SPEAKERS

POSITIONNEMENT UBICACIÓN PLATZIERUNG POSIÇÃO COLLOCAZIONE 布置 الوضع



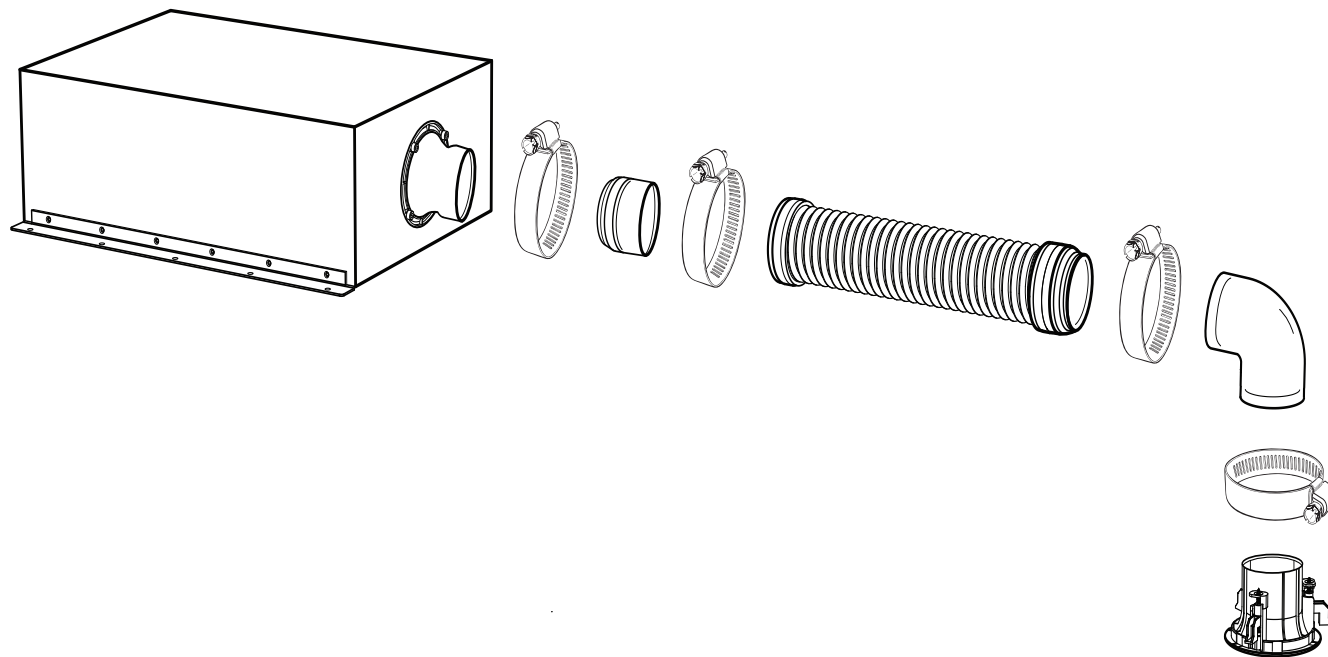
PLACEMENT 2 PRO-800SW WITH 8 FULL RANGE SPEAKERS

POSITIONNEMENT UBICACIÓN PLATZIERUNG POSIÇÃO COLLOCAZIONE 布置 الوضع



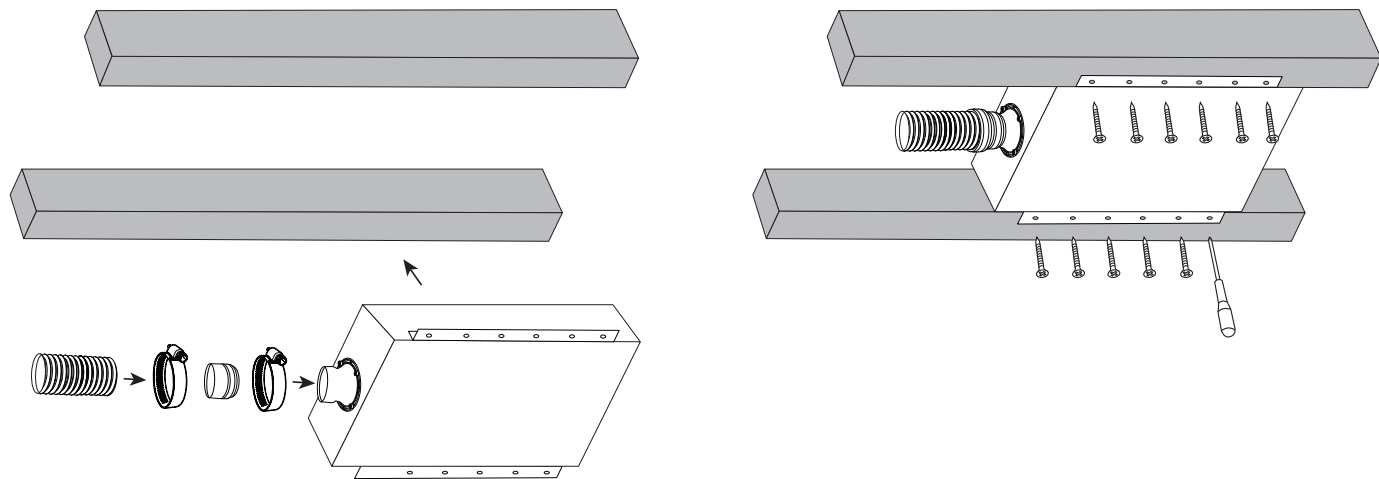
INSTALLATION

INSTALLATION CONFIGURACIÓN INSTALLATION APPONTAMENTO INSTALAÇÃO 设置 التركيب



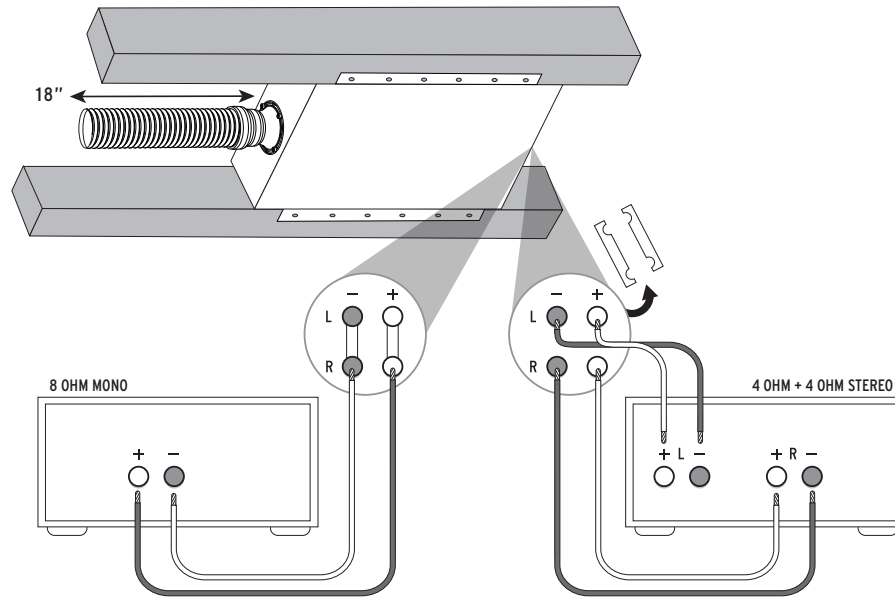
INSTALLATION

INSTALLATION CONFIGURACIÓN INSTALLATION APPONTAMENTO INSTALAÇÃO 设置 التركيب



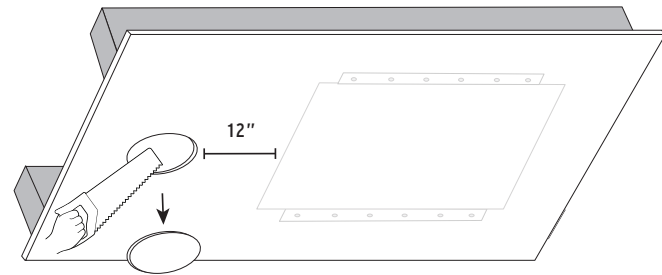
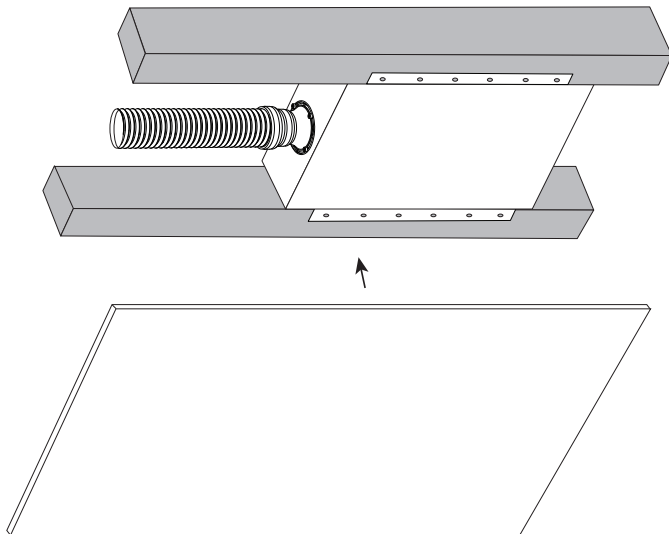
INSTALLATION

INSTALLATION CONFIGURACIÓN INSTALLATION APPONTAMENTO INSTALAÇÃO 设置 التركيب



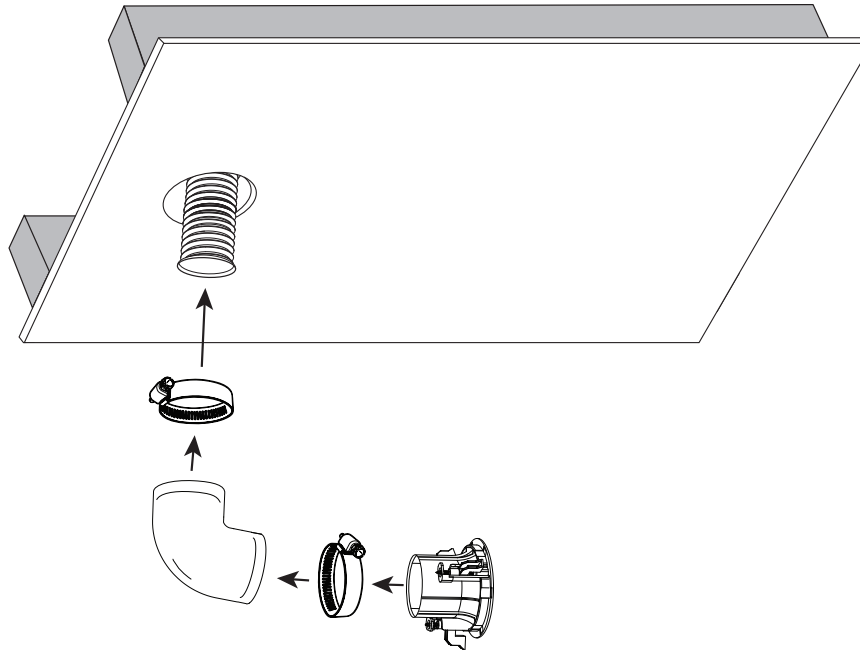
INSTALLATION

INSTALLATION CONFIGURACIÓN INSTALLATION APPONTAMENTO INSTALAÇÃO 设置 التركيب



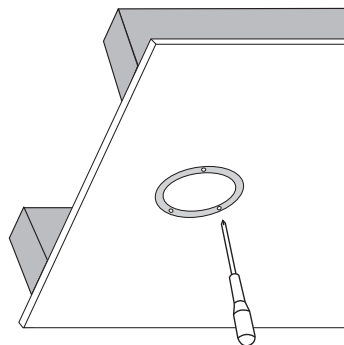
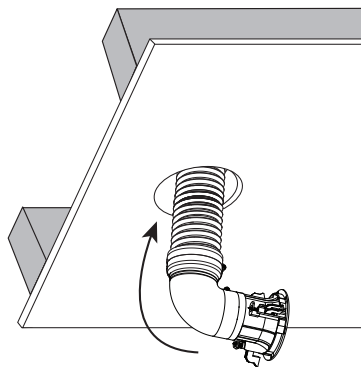
INSTALLATION

INSTALLATION CONFIGURACIÓN INSTALLATION APPONTAMENTO INSTALAÇÃO 设置 التركيب



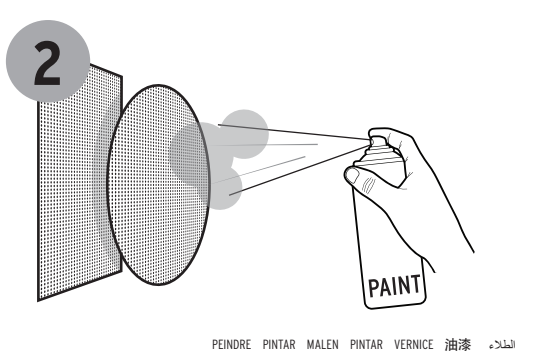
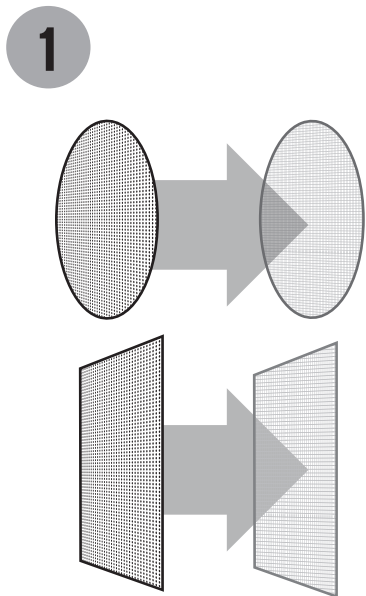
INSTALLATION

INSTALLATION CONFIGURACIÓN INSTALLATION APPONTAMENTO INSTALAÇÃO 设置 التركيب

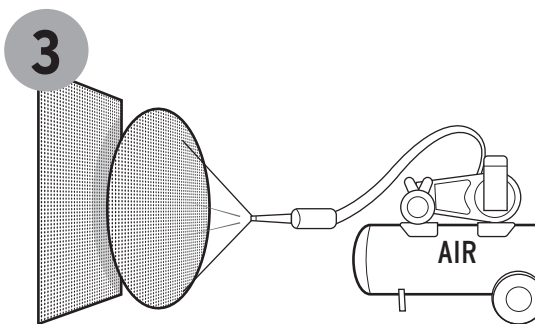


PAINTING

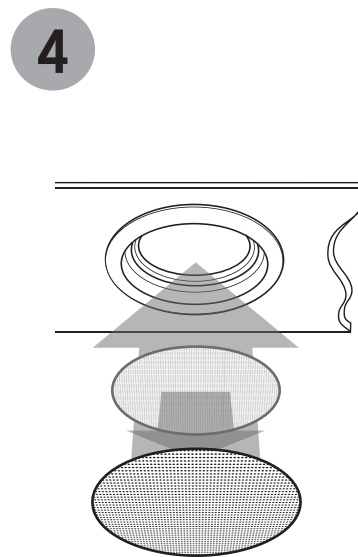
PEINDRE PINTAR MALEN PINTAR VERNICE 油漆 طلاء



PEINDRE PINTAR MALEN PINTAR VERNICE 油漆 طلاء

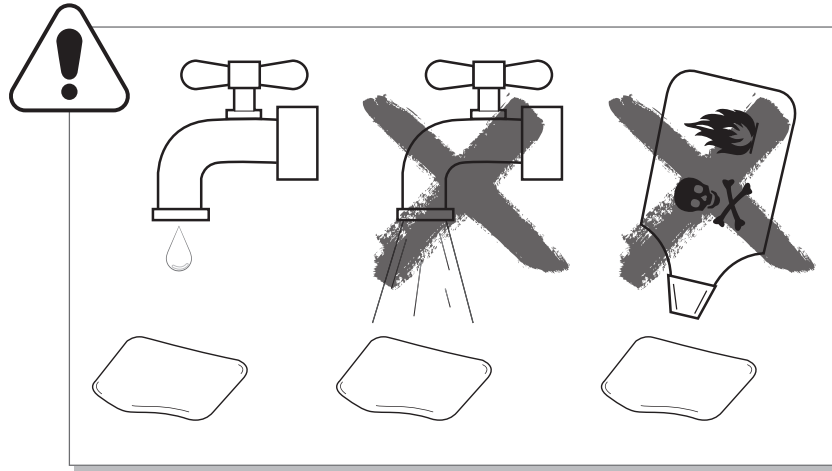
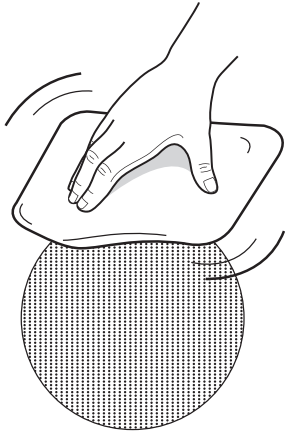


AIR AIRE LUFT AR ARIA 空气 الهواء



CARE AND CLEANING

ENTRETIEN ET NETTOYAGE CUIDADO Y LIMPIEZA PFLEGE UND REINIGUNG CURA E PULIZIA CUIDADOS E LIMPEZA 保养与清洁 العناية والتنظيف





Klipsch®

KEEPERS OF THE SOUND

3502 WOODVIEW TRACE, INDIANAPOLIS, IN, USA

KLIPSCH.COM

1-800-KLIPSCH ©2015 KLIPSCH GROUP, INC. ALL RIGHTS RESERVED. KLIPSCH AND KEEPERS OF THE SOUND ARE REGISTERED TRADEMARKS OF KLIPSCH GROUP, INC. IN THE USA AND OTHER COUNTRIES.
A WHOLLY-OWNED SUBSIDIARY OF VOXX INTERNATIONAL CORPORATION.



V01-171228