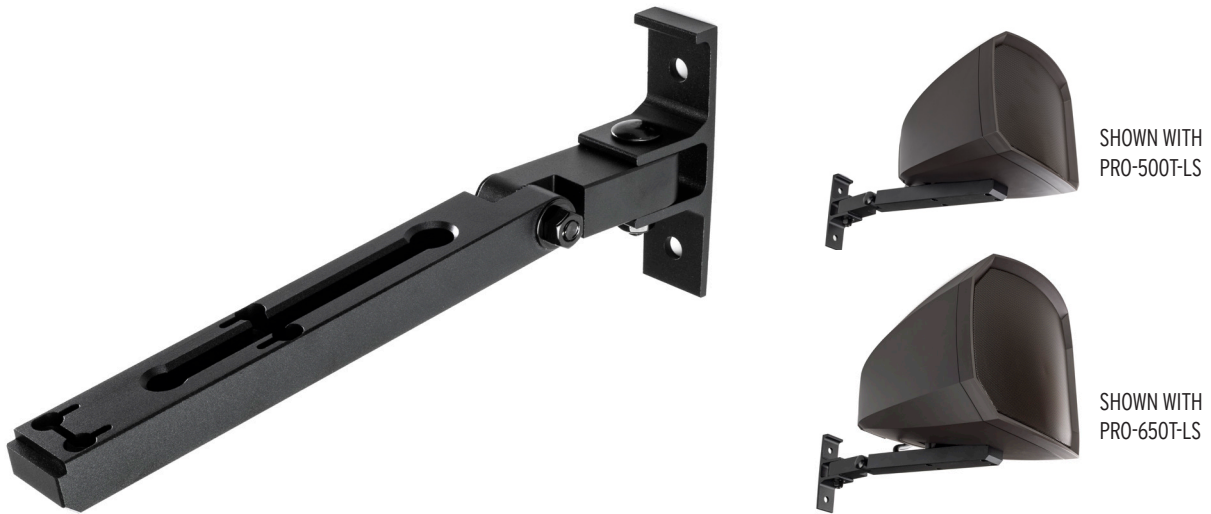


PRO-1-SM SURFACE MOUNT BRACKET



FLEXIBLE INSTALLATION

The PRO-1-SM surface mount is designed specifically for mounting the Klipsch Professional Series Landscape Satellite speakers (PRO-500T-LS and PRO-650T-LS) in a variety of locations. Integrated mounting plate allows for easy surface mounting, as well as compatibility with 3rd party standard tree straps and U-bolt pole mounts (not included). Full pan and tilt capabilities provide easy and flexible installation in both residential and commercial applications.

ALL-WEATHER DURABILITY

With its rustproof stainless steel and aluminum construction, the PRO-1-SM can withstand the harshest elements mother nature delivers, providing years of enjoyment.

ADDED SECURITY AND STABILITY

Specially machined locking teeth within the arm structure, along with the embedded locking nut, secure the angle and stability of the Pro Series Landscape satellite speakers, ensuring they will never droop or sag over time.

SPECIFICATIONS

FOR USE WITH	PRO-500T-LS (1063137) PRO-650T-LS (1063139)
CONSTRUCTION	Rustproof aluminum parts with stainless steel hardware
MAXIMUM PITCH	45° up, 90° down
PITCH INCREMENTS	15°
MAXIMUM PAN	100° clockwise, 100° counterclockwise
WEIGHT	1.2 lbs / .54 kg
DIMENSIONS	1.68" x 11.12" x 4.13" (4.3cm x 29.5cm x 10.5cm)
PACKED AS	Eaches
FINISH	Satin Black
ACCESSORIES (NOT INCLUDED)	- Mounting Bolts/Hardware and Washers (5/16" Recommended) - Tree Strap (1" Recommended) - Square U-Bolt for Pole Mounting (1.25" Minimum Width)

