

CAB-HDMI20-PHS100F SKU 13750089

1 m Premium High Speed HDMI 2.0b flexy cable



Details

This cable offers the standard HDMI 2.0 bandwidth that allows for video transmission of signals up to 4K60 4:4:4 and also supports HDR10, Dolby Vision and HLG video as well as Dolby TrueHD, DTS-HD Master Audio and Dolby Atmos audio formats.

It also enables Consumer Electronics Control (CEC), Audio Return Channel (ARC) and HDMI Ethernet Channel (HEC) while the robust shield design offers enhanced durability and extra EMI protection.

Working with cables in any application always requires additional care to avoid that tangling cables take up extra space and time, but Lightware's thin and flexy HDMI cables got a solution to this problem.

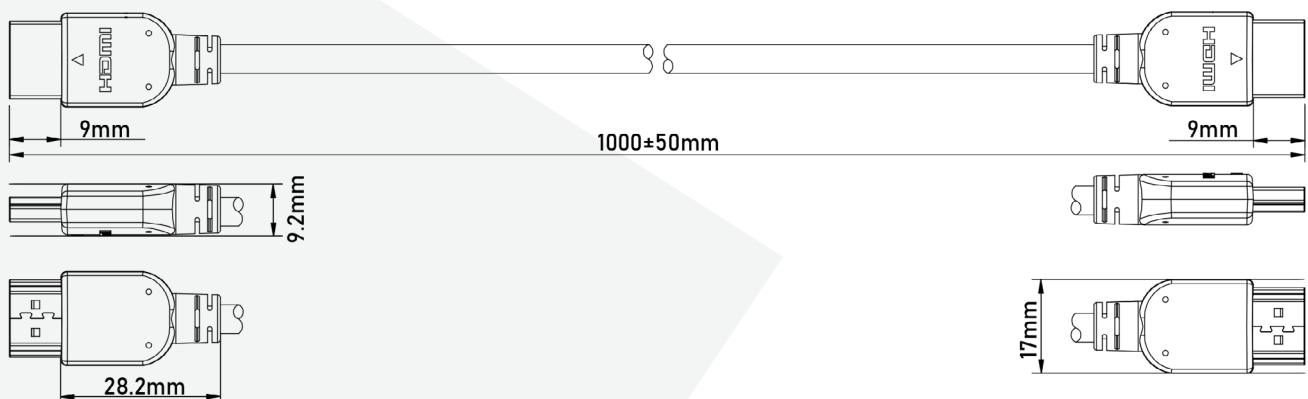
Our Range of HDMI Cables

- **CAB-HDMI20-PHS100F**
1 m Premium High Speed HDMI 2.0b flexy cable
- **CAB-HDMI20-PHS200F**
2 m Premium High Speed HDMI 2.0b flexy cable
- **CAB-HDMI20-PHS300P**
3 m Premium High Speed HDMI 2.0b cable
- **CAB-HDMI20-PHS500P**
5 m Premium High Speed HDMI 2.0b cable

Highlighted features

- Bandwidth up to 18Gbps
- Enables transmission of High Dynamic Range (HDR10), Dolby Vision and Hybrid log-gamma (HLG) video
- Up to 4096x2160@60Hz at RGB 4:4:4 video resolution
- Supported Dolby TrueHD, DTS-HD Master Audio and Dolby Atmos audio formats
- Enables transmission of Consumer Electronics Control (CEC), Audio Return Channel (ARC) and HDMI Ethernet Channel (HEC)
- Robust shield design for extra EMI protection
- Thin and Flexy

Mechanical Drawing



CAB-HDMI20-PHS100F SKU 13750089

Specifications

HDMI Signal Support	HDMI Standards	2.0b (18Gbps)
	Video Format	Up to 4096x2160@60Hz at RGB 4:4:4
	Data Rate	18Gbps
	Control Signal	HDCP 2.3/ EDID/ CEC/ DDC/ HEC/ ARC / DisplayID
	Connector	HDMI Type A Plug
	Audio Support	Dolby TrueHD/DTS-HD Master Audio/ Dolby Atmos
Physical Properties	Length	1 m
	Pin coating	Gold-plated
	Color	Black
	Outside Diameter	4.5mm
	Jacket Material	Flexible TPE
	Bending Radius	18mm
	Material	copper, 34AWG
	Power	No external power
	Operating temperature	0°C to 50°C
	Humidity	0%~80% RH
	Pulling Force	6kg
	Mating Durability	10,000 cycles
	Environmental	RoHS, REACH (EC 1907/2006)
	Flammability	TPE FT-2

Recommended accessory



TBX-M210-K
Table Box



TBX-M220-K
Table Box

CAB-HDMI20-PHS100F

SKU 13750089

Highlighted resolutions

The cable supports all HDMI 2.0b resolutions

Resolution	Refresh Rate	Color Bit Depth (Bits per color)	Chroma Sampling
7680x4320 8K	30	8	4:2:0
5120x2160 5K	60	12/10/8	4:2:0
	30	12/10/8	4:4:4
4096x2160 4K	60	8	4:4:4/4:2:0
		12/10/8	4:2:0
	30	12/10/8	4:4:4
3840x2160 UHD	60	8	4:4:4/4:2:0
		12/10/8	4:2:0
	30	12/10/8	4:4:4
3440x1440 UWQHD	120	8	4:4:4
	60	16/12/10/8	4:4:4
2560x1440 QHD	120/60	10/8	4:4:4
2560x1080 UWQHD	60	16/12/10/8	4:4:4
1920x1200 WUXGA	60	16/12/10/8	4:4:4
1920x1080 FHD	120/60/30	16/12/10/8	4:4:4
1280x720 HD	60/30	16/12/10/8	4:4:4

