



Arm Mount
Surveillance Accessory

Installation Manual

Installation

Before you start, ensure that the hardware is in good condition and all assembly parts are included.

Check that the mounting surface is strong enough to withstand three times the weight of the mount and camera.

If installing on a cement surface, use the included expansion anchors to install the mount. If installing on a wood surface, use self-tapping wood screws (not included) to secure the mount.

Take care that all equipment is powered off during installation.

Important Note: To avoid damaging the surface of your dome camera during installation, keep it away from walls and other objects. Do not remove the protective coating from the dome until after the camera is installed and the dome is in place.

If the product does not assemble properly, please contact technical support.

Compatibility

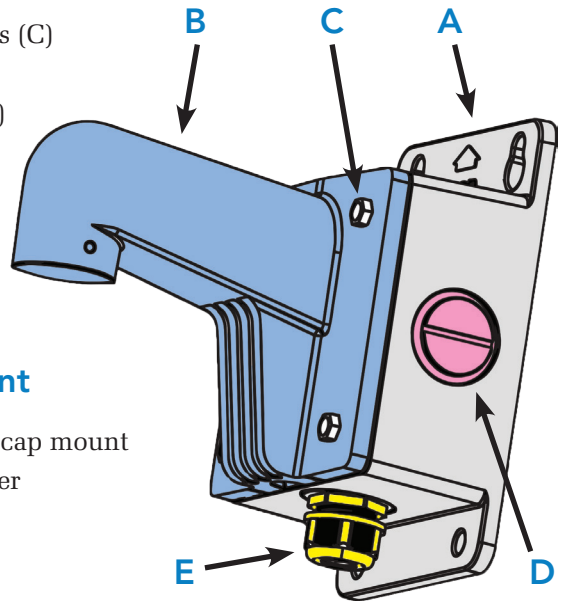
This can be used with Luma Surveillance 300-, 500-, and 700-series analog dome cameras with an attached cap mount.

It can be supplemented with Luma Surveillance pendant mount extenders and/or pole mounts.

Box Contents

Before installing, familiarize yourself with the parts of your mount.

- Wall box (A)
- Arm bracket (B)
- 4 x 10mm bolts with washers (C)
- 2 cable plugs (D)
- Connector for ¾" conduit (E)
- 4 wall anchors
- 1 locking screw



Other Required Equipment

- Dome camera with attached cap mount
- Precision flathead screwdriver
- A large flathead screwdriver or a quarter dollar coin
- 10mm socket wrench

Prepare for Installation

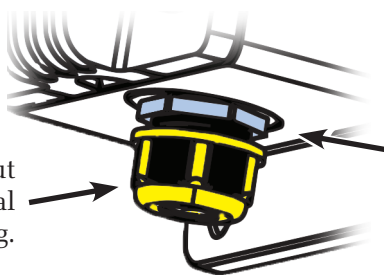
Attach your camera to the dome cap according to the instructions supplied with the cap.

The mount comes with two conduit plugs and one conduit connector.

If you will be running the conduit through the bottom of the mount, no changes are needed.

If you will be running the conduit either through the rear or side of the mount, swap the locations of that conduit plug and the conduit connector on the bottom of the mount. Tighten the conduit plug with a quarter or a large flathead screwdriver. Secure the conduit connector by tightening the thin hex nut by hand.

The locking nut tightens the seal around the cabling.



The thin nut secures the connector to the wall box.

Install the Wall Box

Remove the four 10mm bolts from the front of the arm bracket and set them aside, taking care not to lose the washers or locking washers.

Remove the arm bracket from the wall box. You'll have to lift it up slightly (this disengages the interior hooks) to remove it. Be careful not to disturb the gasket on the wall box; if you do, firmly press the gasket back into place.

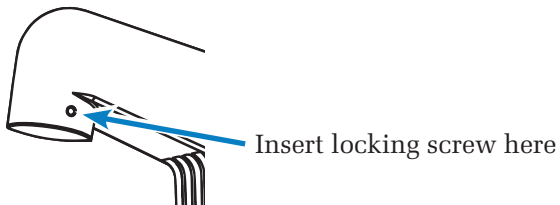
Using the wall box as a template, mark the locations for your mounting screws or bolts. Drill pilot holes for your screws or bolts, as well as a cable hole if desired.

Secure the wall box to the mounting surface.

Prepare the Arm Bracket

Thread the wires from the camera / dome cap assembly through the arm bracket.

Screw the camera / dome cap assembly onto the arm bracket. Once it is tightly seated, use a locking screw to secure the attachment by inserting it into the hole at the threads.



Use the hooks on the rear of the arm bracket to hang the arm bracket on the left side of the wall box. This way you have your hands free to connect all the wiring.

Connect the Wiring

Loosen the locking nut at the end of the conduit connector.

Thread the wiring through the conduit connector.

Tighten the locking nut until a firm seal around the conduit is established.

Connect the wires from the camera to those from the conduit.

Power up the camera and test it.

Pull slack from the conduit as needed, swing the arm bracket shut, and secure the bracket onto the wall box with the 10mm bolts removed at the start of installation.

Weatherproofing

While the gasket provided helps block moisture, we recommend you run a silicone bead between the wall box and the installation surface. If the wiring will be exposed, also run a bead around the conduit connector.

Support

If you need help, email support@SnapAV.com. For information, instructional videos, support documentation, or ideas, visit our website.

5-Year Limited Warranty

This Luma Surveillance[™] product has a 5-Year Limited Warranty. This warranty includes parts and labor repairs on all components found to be defective in material or workmanship under normal conditions of use. This warranty shall not apply to products that have been abused, modified or disassembled. Products to be repaired under this warranty must be returned to a designated service center with an assigned return authorization (RA) number. Contact technical support for an RA number.

Copyright ©2015 Luma Surveillance. All rights reserved.

Version 150930-0858