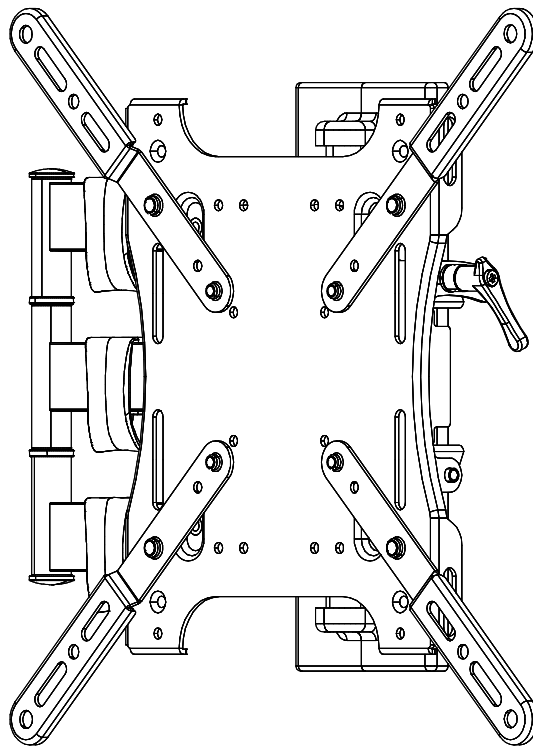





SM-CB-ART1-M


Strong™ Carbon Series

Universal Single Arm Articulating Mount for Medium Displays



INSTALLATION MANUAL

 **CAUTION** The maximum weight of this wall mount is 100 lbs (45 kg). Use with heavier than the maximum weight indicated may result in instability causing possible injury.

 **ATTENTION** Le poids maximum de ce support mural est de 45 kg (100 lbs). L'utilisation avec un poids plus haut que le poids maximum indiqué peut provoquer une instabilité et ainsi des blessures.

WARNING

Ensure these instructions are thoroughly understood before attempting installation. If unsure of any part of the installation process, contact a professional installer for assistance.

The wall or mounting surface must be capable of supporting the combined weight of the mount and the display; otherwise the structure must be reinforced. Installer is responsible for verifying the wall/mounting surface and the anchors used can support the total load of the installation.

Safety gear and proper tools must be used. Failure to do so can result in property damage and/or serious injury.

A minimum of two people is required for this installation and it is highly recommended that this product be installed by qualified professionals.

Follow all instructions and recommendations regarding suitable locations for display installation. Consult the display equipment's documentation for information relative to its requirements.

ATTENTION

Assurez-vous que ces instructions sont bien comprises avant de commencer l'installation. Si vous n'êtes pas certain sur une partie du processus d'installation, contactez un installateur professionnel pour obtenir de l'aide.

Le mur ou la surface de montage doit être capable de supporter le poids combiné du support et de l'écran ; sinon la structure doit être renforcée. L'installateur est responsable de la vérification du mur / de la surface de montage et les ancrages utilisés peuvent supporter le poids total de l'installation.

Un équipement de sécurité et des outils appropriés doivent être utilisés. Sinon, il y pourrait avoir des dommages matériels et / ou des blessures graves

Un minimum de deux personnes est requis pour cette installation et il est fortement recommandé que ce produit soit installé par des professionnels qualifiés.

Suivez toutes les instructions et recommandations concernant les lieux appropriés pour l'installation de l'écran. Consultez la documentation de l'écran pour obtenir des informations à propos des exigences.

| Supported Vesa Patterns | | | | | | | | | | |
|----------------------------------|-----|------------------------------------|----------|----------|----------|----------|-------|-------|-----|-----|
| | | Horizontal Measurement (mm) | | | | | | | | |
| | | 75 | 100 | 200 | 300 | 400 | 500 | 600 | 700 | 800 |
| Vertical Measurement (mm) | 75 | M, L, XL | | | | | | | | |
| | 100 | | M, L, XL | M, L, XL | L, XL | L, XL | L, XL | L, XL | XL | XL |
| | 200 | | M, L, XL | M, L, XL | L, XL | L, XL | L, XL | L, XL | XL | XL |
| | 300 | | | M, L, XL | M, L, XL | L, XL | L, XL | L, XL | XL | XL |
| | 400 | | | M, L, XL | L, XL | M, L, XL | L, XL | L, XL | XL | XL |
| | 500 | | | | XL | XL | XL | XL | XL | XL |
| | 600 | | | | XL | XL | XL | XL | XL | XL |

SPECIFICATIONS

- Maximum Load: 100 lbs (45 kg)
- Maximum Arm Extension: 22.5"
- Wire Management
- Pan/Swivel Range: 180°
- Tilt Range: -5° /+ 15°
- Level Range: -5°/+5°

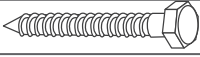


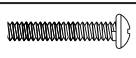
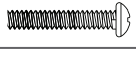
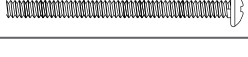
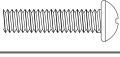
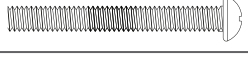
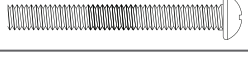






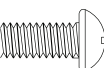
BOX CONTENTS

- Wall Arm Assembly (1)
- X-Pattern Adapter Brackets (4)
- Adapter Plate (1, Installed)
- Wall Plate Cover Kit (1, Installed)
- Cable Clips (3, Installed)
- Hardware Kit (1)
- Mounting Template (1)

TOOLS REQUIRED

- Power Drill
- 3/32" & 5/16" Drill Bits
- Level
- 1/2" (13mm) Wrench
- Hammer
- Stud Finder
- Phillips Screw Driver

HARDWARE

| IMAGE | DESCRIPTION | ITEM | QUANTITY |
|---|-------------------------|------------------------|----------|
| BAG 1 | | | |
|  | Lag Bolt | (A) 6.3 × 50 mm | 4 |
|  | Lag Washer | (B) 6.4 × 18 × 2 mm | 4 |
|  | Concrete Anchor | (C) 8 × 50 mm | 4 |
|  | Screw | (D) M4 × 20 mm | 4 |
|  | Screw | (E) M6 × 20 mm | 4 |
|  | Screw | (F) M6 × 40 mm | 4 |
| BAG 2 | | | |
|  | Screw | (G) M8 × 20 mm | 4 |
|  | Screw | (H) M8 × 40 mm | 4 |
|  | Screw | (I) M8 × 50 mm | 4 |
|  | Spacer | (J) 8.5 × 15 × 5 mm | 4 |
|  | Spacer | (K) 8.5 × 17.5 × 19 mm | 4 |
| BAG 3 | | | |
|  | Spacer | (L) 8.5 × 17.5 × 22 mm | 4 |
|  | M4/M6 Washer | (M) 6.4 × 18.2 × 2 mm | 8 |
|  | M8 Washer | (N) 8.4 × 20 × 2 mm | 8 |
|  | X-Pattern Adapter Screw | (O) M6 × 10 mm | 4 |
|  | X-Pattern Adapter Screw | (P) M8 × 10 mm | 4 |

INSTALLATION

Layout and Drilling

- Determine general location of the display.
- Use a stud finder to find the nearest wall stud if applicable and mark their location.
NOTE: Stud sizes must be a minimum of 2"x4" and covered with no more than 3/8" thick dry wall.
- Tape template flat and level to wall surface, aligning the template's slots with the stud markings on the wall.
NOTE: Template corners fold up to catch debris.
- Use a pen or pointed object to mark bore locations.
ATTENTION: Before drilling, verify there is a minimum of 1-3/8" of concrete thickness to be used for the concrete anchors. Ensure to mount in a solid part of the block, generally 1" minimum from the side of the block. Cinder block must meet ASTM C-90 specifications.
ATTENTION: Concrete must be 2500-3000 psi density minimum. Lighter density concrete may not hold concrete anchor.
ATTENTION: A standard electric drill on slow setting should be used to drill the holes instead of a hammer drill to avoid breaking out the back of the hole when entering a void or cavity.
- Drill holes in marked locations:
 - Use 3/32" bit for drilling into wooden studs.
 - Use 5/16" bit for drilling into concrete wall.**ATTENTION:** Be sure to drill holes centered within studs. Do not drill into mortar joints.

Wall Mounting of Arm Assembly

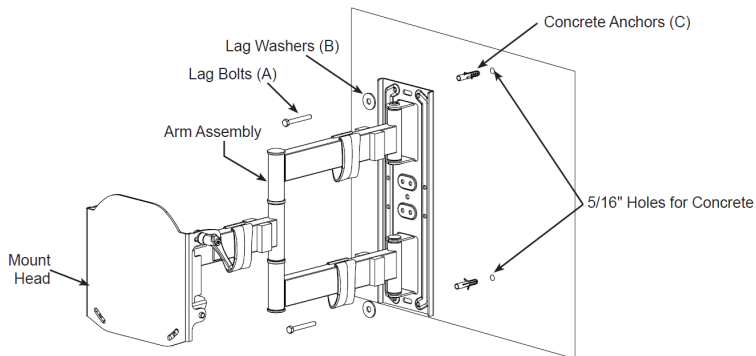
1. If needed, hammer concrete anchors (C) into wall.

ATTENTION: If anchors are going to be applied to a plastered concrete wall, the anchor must be recessed beyond the plaster to reside fully in the concrete.

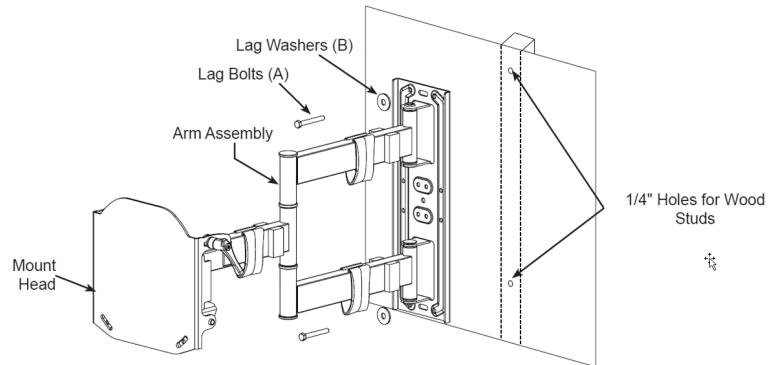
2. Apply lag washers (B) to lag bolts (A).
3. Hold Arm Assembly in place while applying lag bolts (A) with washers (B).
4. Tighten bolts (A) snugly without overtightening.

CAUTION: Overtightening can damage the bolts and reduce their holding strength.

Mounting to a Concrete Wall



Mounting to a Wood Stud Wall



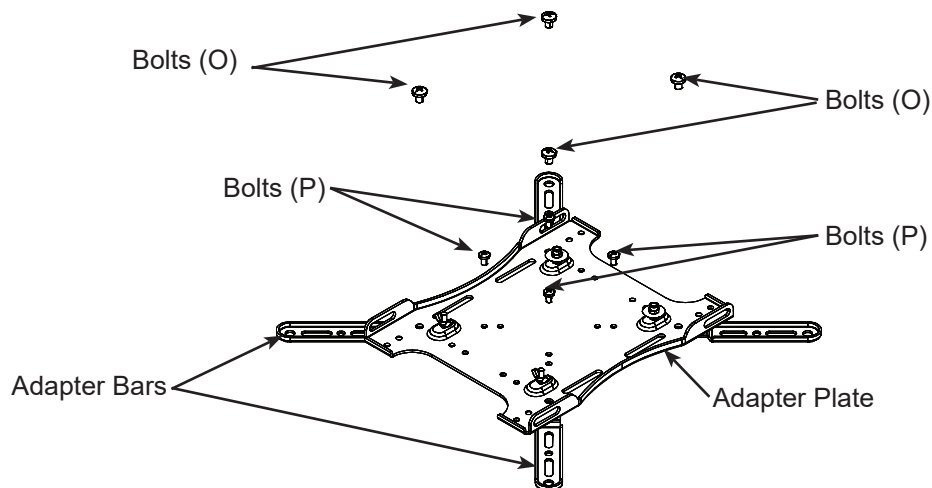
Assemble Display Bracket

Small Displays (Up to VESA 200x300)

The display bracket does not require assembly for this display size. Proceed to the mounting section for instructions on how to mount the bracket to the display.

Large Displays (Up to VESA 400x400)

1. Align the holes in the X-pattern brackets with the Adapter Plate and secure using four Bolts (O & P) (Figure 2).
2. Attach the assembled Adapter Plate to the display using the screws (O & P).



Mount Display Bracket to Display Panel

Small Displays (Up to VESA 200x200)

1. Attach display bracket to TV VESA holes using 4 bolts (D, E, F, G, H, or I) and washers (M or N); spacers (J, K, or L) may be required depending on display design. (see Figure 3).

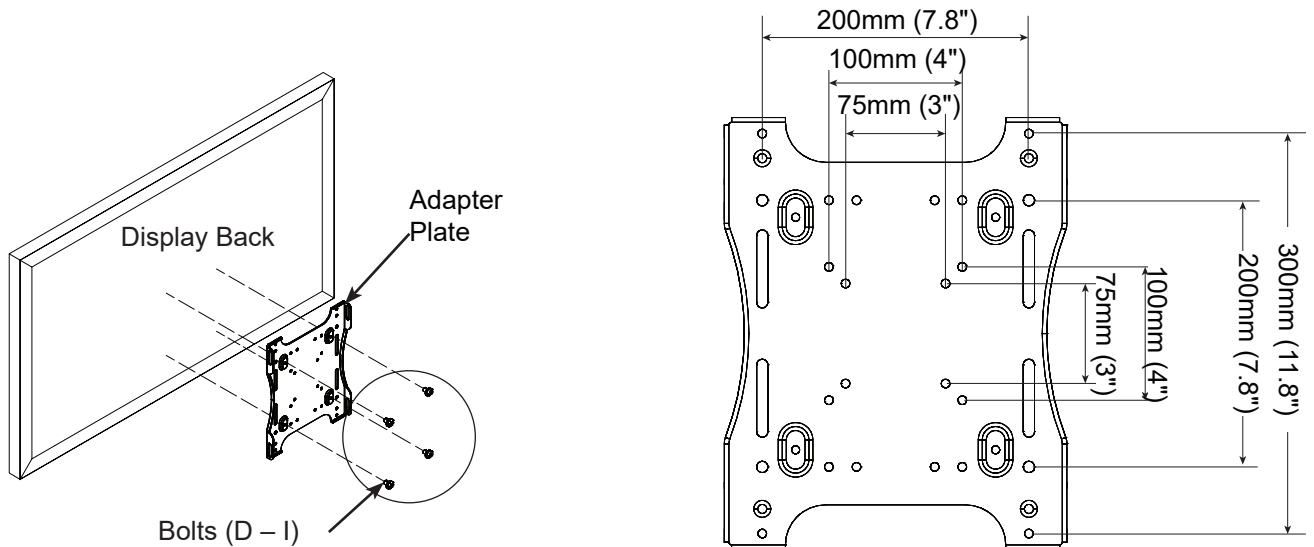


Figure 3

Large Displays (Up to VESA 400x400)

- Attach display bracket to TV VESA holes using 4 bolts (D, E, F, G, H, or I) and washers (M or N); spacers (J, K, or L) may be required depending on display design. (see Figure 4).

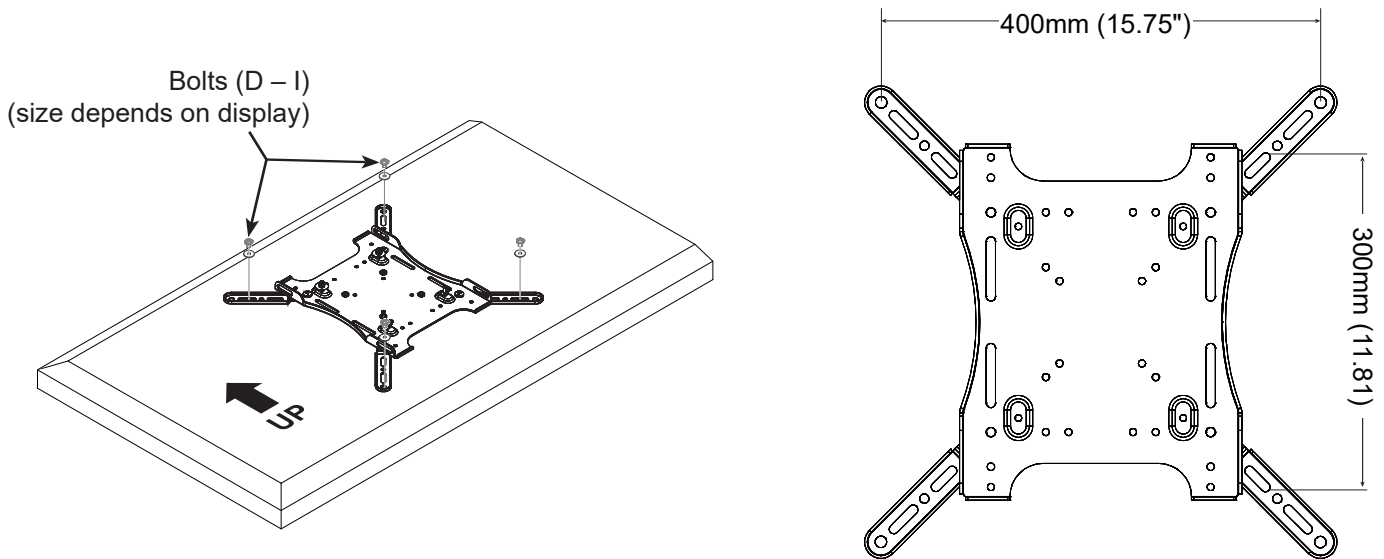


Figure 4

Attach Screen to Arm Assembly

Small Displays (Up to VESA 200x200) and Large Displays (Up to VESA 400x400)

ATTENTION: This procedure requires two persons to perform.

1. Ensure that the arm is set to its maximum negative tilt prior to attaching the display.
2. Ensure wingnuts have been uninstalled from bottom bolts on display bracket.

3. Lift the display and hook the two top bolts in grooves on top of the Mounting Head. Bottom studs will slide into roll adjustment slots.
4. Once in position, reinstall wing nuts and secure the Adapter Plate to the Arm Assembly Head Mount.

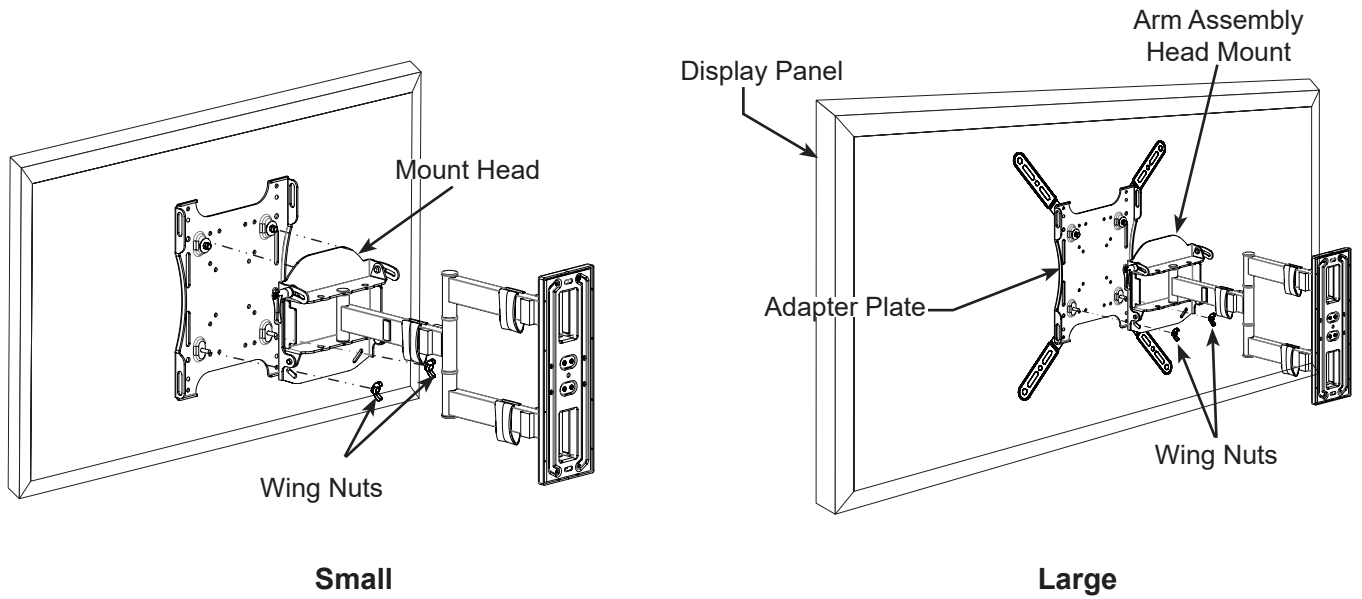


Figure 5

Cable Cover Attachment

1. Route electrical and data cables along the Arm Assembly and secure in place using the provided Cable Covers (Figure 6).
NOTE: Ensure enough slack is provided to allow for vertical and horizontal movement before attaching the Cable Covers.

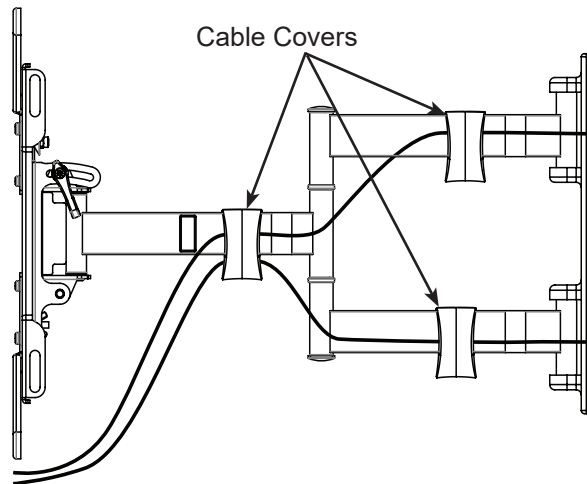


Figure 6

Optional Adhesive Felt Pad

Included with the hardware pack are Adhesive Felt Pads for cushioning impact of the arm against the wall when collapsing the mount. Place the pads on the opposite side from the Cable Covers where possible impact point with wall will occur (Figure 7).

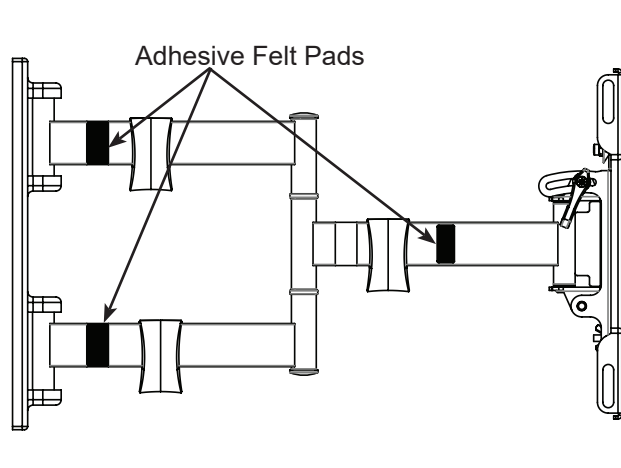
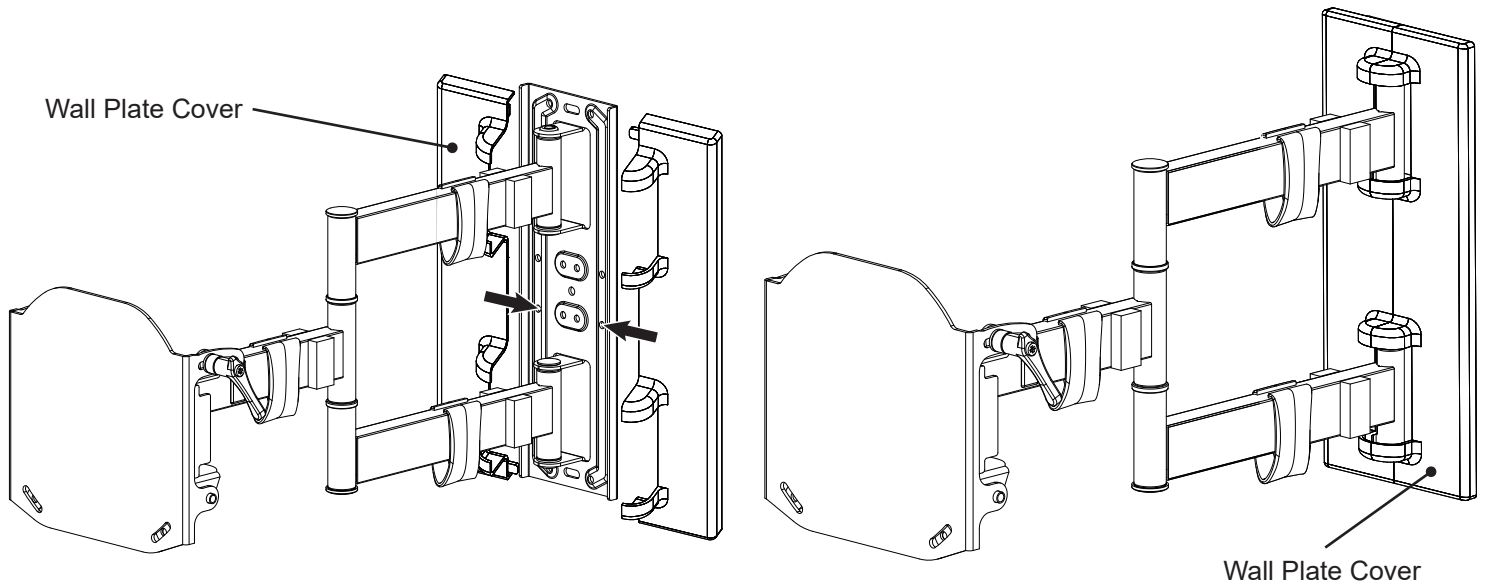


Figure 7

Installing Wall Plate Cover

Included with the hardware pack are two halves of the wall plate cover assembly. Put the wall plate cover assembly together around the arms and slide onto wall plate.



ADJUSTMENTS

Tilt Adjustment

1. Loosen Tilt Lever on the side of Mount Head (only enough to allow controlled adjustment) (Figure 8).
2. Adjust tilt.
3. Tighten locking Tilt Levers.

NOTE: Once the tilt levers are locked, the position of the levers can be adjusted without loosening or tightening the unit by pulling the levers outward and then repositioning them to a vertical, less obtrusive position.

Horizontal Adjustment

1. To adjust the horizontal angle of the display, first slightly loosen the top two screws on back side of the Arm Assembly Head Mount using the provided Allen Key. Then firmly hold opposite corners of the display and gently turn it into the desired position. When level, re-tighten screws to lock in position (Figure 8 and Figure 9).

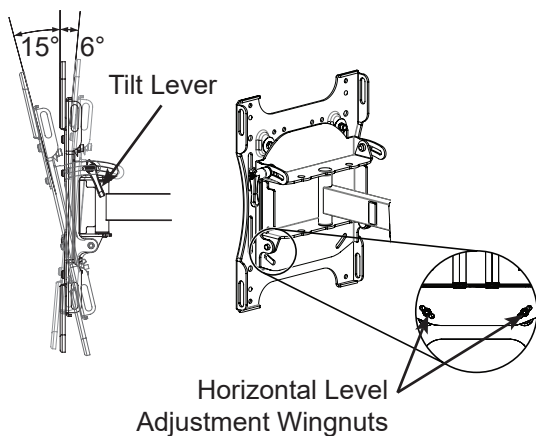


Figure 8

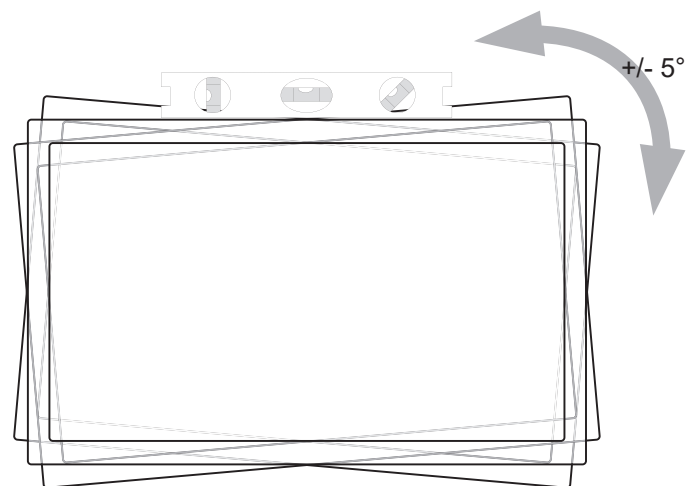


Figure 9

CONTACTING TECHNICAL SUPPORT

Phone: (866) 838-5052

Email: techsupport@snapav.com

LIFETIME LIMITED WARRANTY



Strong™ Mounts have a Lifetime Limited Warranty. This warranty includes parts and labor repairs on all components found to be defective in material or workmanship under normal conditions of use. This warranty shall not apply to products which have been abused, modified or disassembled. Products to be repaired under this warranty must be returned to Snap AV or a designated service center with prior notification and an assigned return authorization (RA) number.



190703-1355
© 2019 STRONG