

WATERFALL AUDIO

SOUND DESIGNERS



DATA SHEET

HF3-500

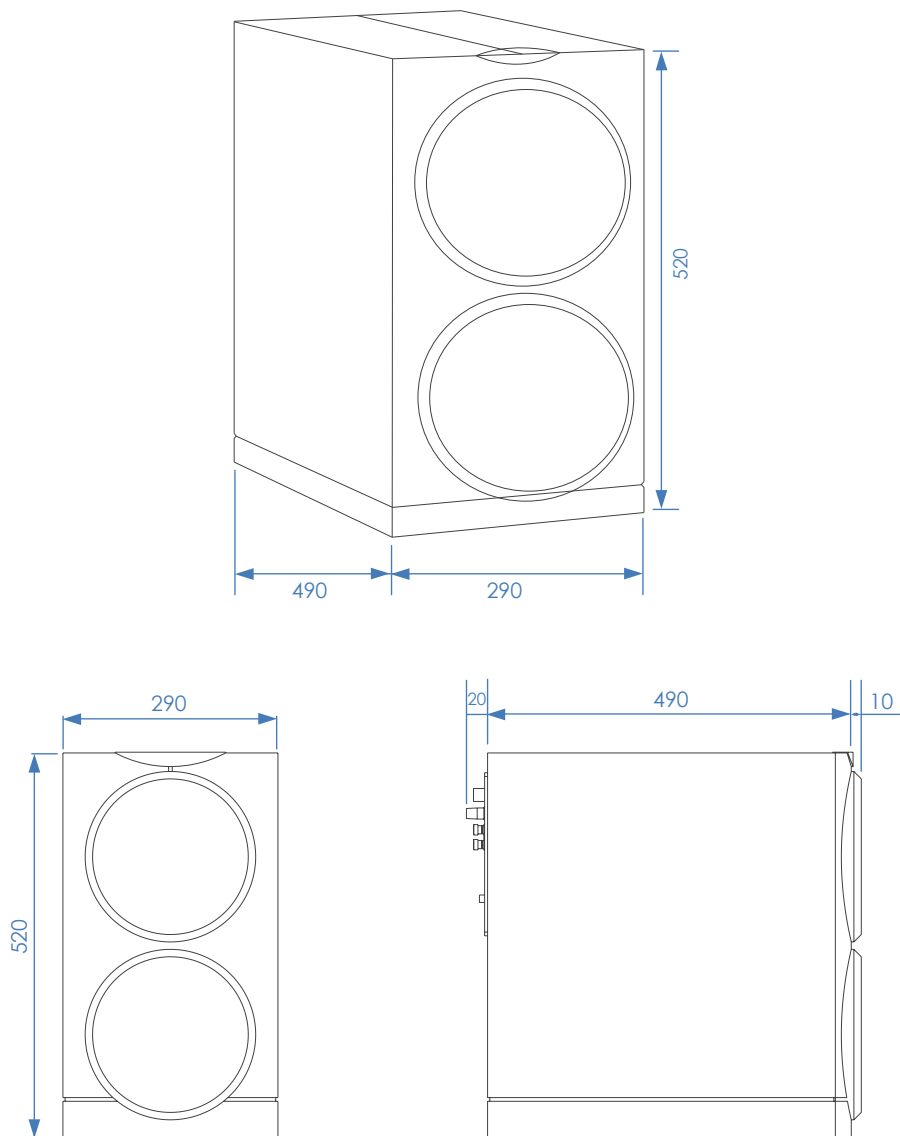
Made in France

KEY POINTS

- Ultimate subwoofer
- Equipped with 2 x 23 cm / 9" Atohm LD230 long excursion driver (32mm / 1.25" cone excursion)
- Featuring "X-guard Technology": control of the driver's cone excursion
- Amazing performance /size/price ratio
- Low distortion: musical bass performances and high acoustical level
- Installation and connections flexibility for Hifi or Home cinema (amplifier /integrated pre-amplifier with or without pre-out exit)
- Wide tuning possibilities: phase inverter, variable frequency cut off, variable slopes : 24 or 12 dB/oct or LFE mode (for Home cinema use)
- Bass reflex located at the back
- Dual voltage choice: 110 V / 220 V
- Available in black or white

AUDIO APPLICATIONS

- Hifi or Home Cinema Subwoofer for all Waterfall speakers
- When very high acoustic pressure is required
- Suitable for large rooms : 30 to 60 m² / 320 to 650 ft²




TECHNICAL DETAILS

TYPE	ACTIVE - BASS REFLEX
INTEGRATED AMPLIFIER	500 W / X-GUARD TECHNOLOGY
PEAK POWER	650 W
FREQUENCY RESPONSE (+/- 3 dB)	29 Hz - 150 Hz
PHASE CONTROL	Switch 0° / 180°
CROSSOVER FREQUENCIES	VARIABLE 40 TO 150 Hz or LFE Mode
BASS DRIVER	2 X 230 mm / 9" ATOHM LD 230
DIMENSIONS (width x depth x height in mm) (approx. inches)	290 x 490 x 520 / 11.42" x 19.29" x 20.47"
WEIGHT Kg / approx. lbs	30 kg / 66 lbs

WATERFALL AUDIO

ZA les praderies - 83 570 Carcès - France
 Phone: **+33 (0)4 98 05 11 30**
export@waterfallaudio.com

Made in France. 5 years warranty on speakers, 2 years warranty on amplifiers (parts & service).
 We operate a policy of continuous improvement and reserve the right to amend designs and specifications without prior notice.

 All drivers are developed and manufactured by Atohm (France).