

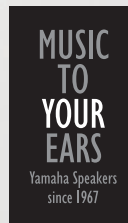


SPEAKERS FOR **COMMERCIAL INSTALLATIONS**

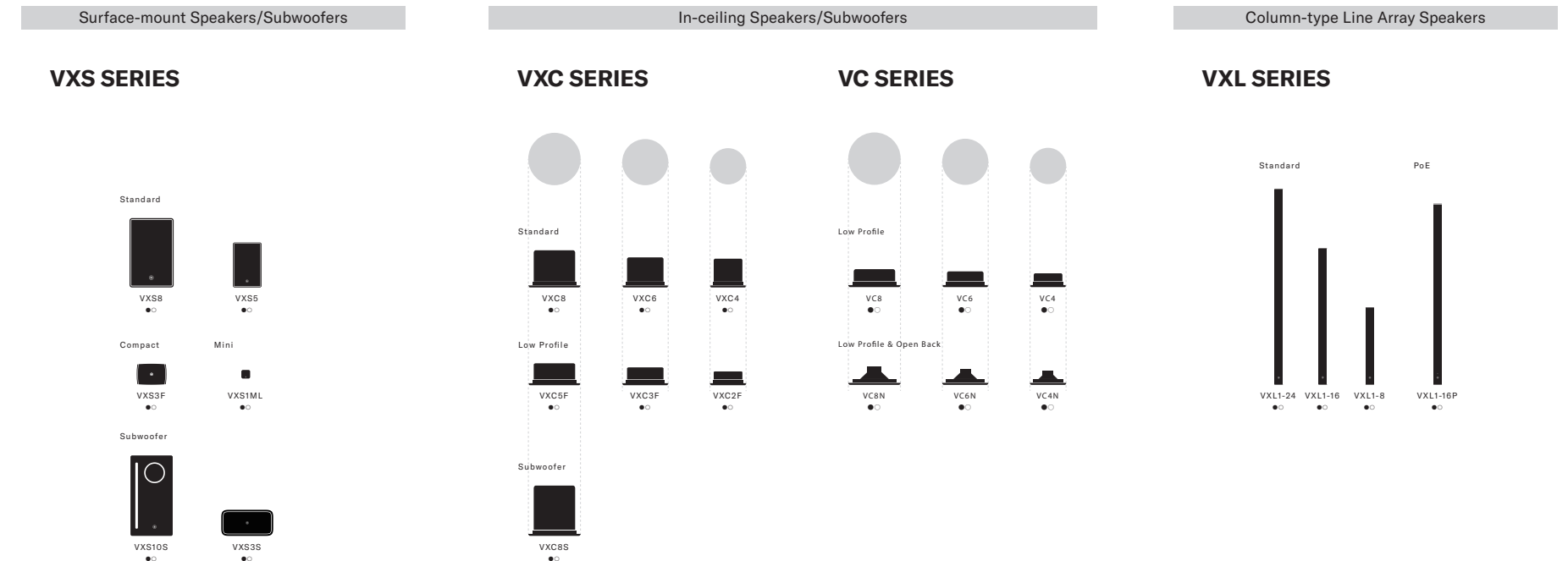
November 2021



1. High quality, richly musical sound
2. Visual design that harmonizes with any interior décor
3. Installation-friendly smart mechanical features



VXS, VXC, VC and VXL series speakers have been optimized specifically for commercial sound applications, with accurate sound inspired by our long history of musical instrument production plus visual design that blends easily with any décor. Choose the models that best suit your needs from our ample lineup.



Recommended Combinations

For Simple Sound Systems

- MA/PA Series

Recommended applications:

Cafes, restaurants, bars, retail stores, classrooms, presentation rooms, etc.



For Advanced Sound Systems

- MTX/MRX/XMV Series
- Controllers
- Peripherals

Recommended applications:

Conference rooms, lecture halls, restaurants, hotels, banquet halls, office complexes, multi-purpose facilities, shopping malls, etc.





With such a prolific history of instrument manufacture comes a unique musical sensibility that deeply influences all our speaker lineups. We won't settle for anything less than truly authentic, superior sound that satisfies the most discriminating tastes.



SOUND

We've adopted a uniquely utilitarian approach to speaker design that derives its aesthetic from the functionality of the speaker's construction so that every curve and corner serves a purpose that will ultimately benefit our customers and their clientele— with style.

DESIGN



Our meticulous parts and material selection process and innovative proprietary technologies ensure the same level of durability and reliability as our acclaimed professional audio gear and masterfully crafted musical instruments.



QUALITY



M A K E

I M P R E S S I O N S

Just like lighting, aroma, and interior design, the sounds a customer is initially exposed to can have a significant impact on their comfort and enthusiasm for your business.

Creating an inviting, high-quality sonic environment will not only complement your other stylistic choices, but influence per-customer spending and repeat business.

Yamaha is invested in the creative choices you make with your space by providing state-of-the-art products with superb musicality that ensure your vision resonates with everyone who enters.

SHOWCASE

Yamaha - The Sound Business Choice



Volvo Studio Aoyama (Showroom, Japan)



Petit Palace Hotel (Hotel, Spain)



Mitsui Garden Hotel (Hotel, Japan)



InterContinental Hotel (Hotel, Switzerland)



Usine (Restaurant, Sweden)



La Maison du Sake (Restaurant, France)



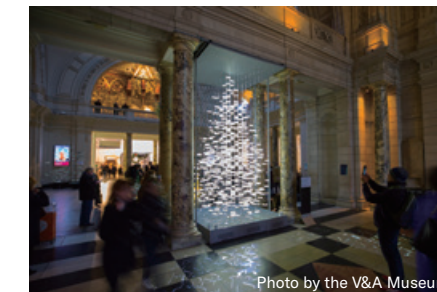
Le Agavi (Hotel, Italy)



Billund Airport (Airport, Denmark)



Thermes Marins Monte-Carlo (Spa, Monaco)



Victoria & Albert (Museum, UK)



Shang Xia (Boutique, China)



Stone Harbor Municipal Courthouse (Courthouse, USA)



Eglise Saint-Denis-Sainte-Foy (Church, France)



Scalaria (Hotel, Austria)



Walkerhill Hotel & Resort (Hotel, Korea)



Attractive, Discreet Design for Elegant Spaces

It is our goal to offer the most pleasing environments possible, both sonically and visually. The sleek curves and attractive, minimalist design of VXS series make them easily adaptable to any commercial environment seeking a unique, subtle complement to the overall aesthetic.



Safe and Efficient Installation

The brackets supplied with the VXS series are all you need for smooth, streamlined wall or ceiling mounting. The bracket itself is a compact design that facilitates mounting in tight spaces, while incorporating features for safe, efficient installation.

VXS8/VXS5



A press-in bracket design leaves both hands free for easy wiring and angle adjustment.

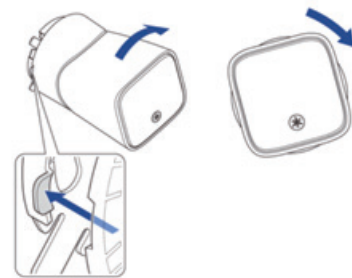


Reverse-thread screws and safety pin prevent damage or injury due to the speaker accidentally falling during installation.



A design that prevents lateral movement during ceiling installation simplifies vertical angle adjustment.

VXS1ML



Align the speaker to the notch on the mounting bracket, and then attach the speaker. Secure the speaker by turning it clockwise.

Featured Model



Bigger isn't always better, and for more intimate commercial environments in particular, a subtle approach to the sights and sounds your customers experience can often leave a stronger impression. Yamaha's ultra-compact VXS1ML provides an attractive interior accent, while filling your space with music that helps shape your overall aesthetic and inspires your clientele.

Blending into Any Décor Room-filling Sound Experience Installation Friendly

A remarkably small cube with elegantly flowing lines and surfaces. Carefully selected and tuned 1.5" driver with neodymium magnet, realizing wide coverage. Wall-mount, ceiling mount, In-ceiling*, or hanging from lighting rail*. *with optional accessories



Recommended Subwoofer: VXS3S

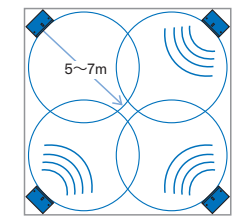
In situations where more substantial low end is required, the compact VXS3S subwoofer is a perfect match for the VXS1ML. Featuring unique SR-Bass™ technology, the VXS3S delivers impactful bass performance while reducing the enclosure size.



Tips for System Design & Installation

Speaker Layout

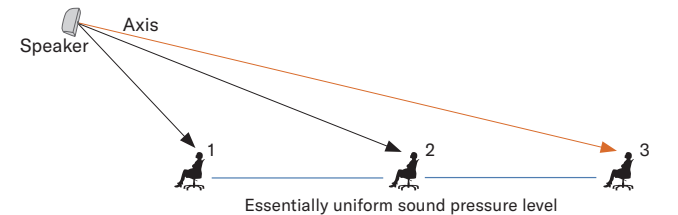
The coverage area of surface-mount speakers will depend on the mounting height rather than ceiling height. With surface-mount speakers installed at a height of around 3 meters, the coverage area will be somewhere between 5 and 7 meters, as shown in the below figure.



Speaker mounting position: around 3m height

Higher speaker mounting positions will result in larger coverage circles: between 1 and 2 meters increase in diameter for every 1 meter in height, approximately.

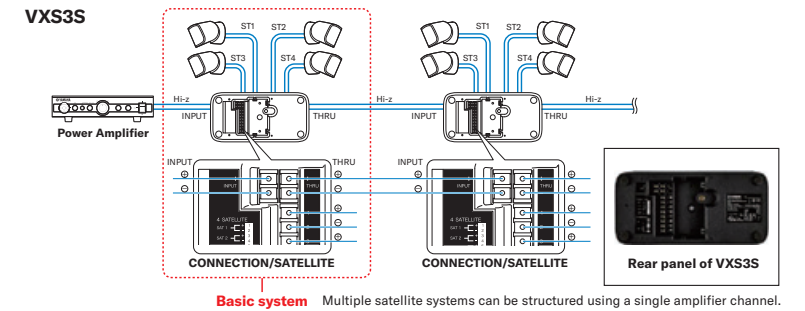
Uniform sound pressure level can easily be achieved throughout the listening plane with speakers that include by aligning the speaker's axis with the head of the most distant target (listener). This works because of the relationship between distance and coverage angle. When the perpendicular axis is aligned with the last row, the natural distance attenuation at the last row and the off-axis attenuation at closer rows tend to result in uniform SPL distribution.



*Yamaha provides dedicated speaker software application CISSCA for designing simple installation such as in-store background music system. Please see page 12 for the details.

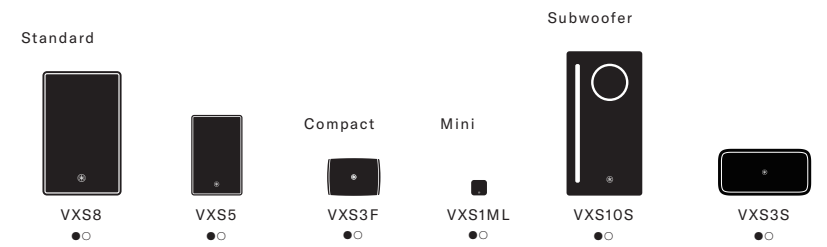
Satellite Connection

The VXS10S/VXS3S subwoofers have satellite connectors on the rear panel, minimizing the number of amplifier channels required to get a system up and running. And since the subwoofers support high-impedance connections, it is possible to connect low-impedance satellite speakers while the subwoofer is connected to a high-impedance system. A built-in high-pass filter is automatically applied to the satellite speakers, providing exceptionally smooth, natural frequency crossover from subwoofer to satellites.



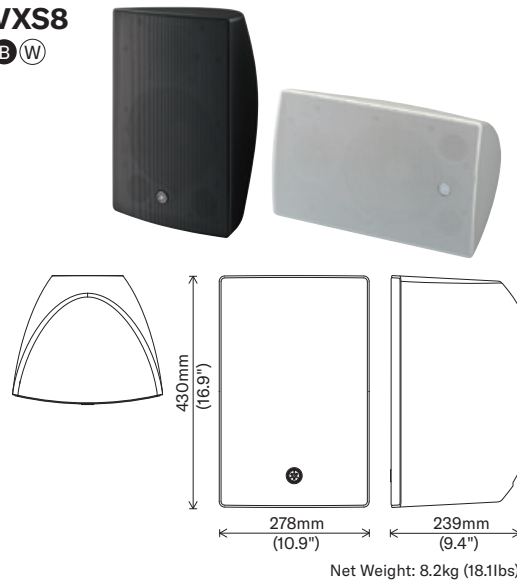
Basic system Multiple satellite systems can be structured using a single amplifier channel.

Surface-mount Speakers/Subwoofers VXS SERIES

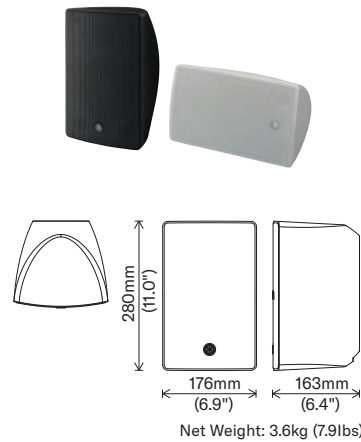


Recommended for Background Music System

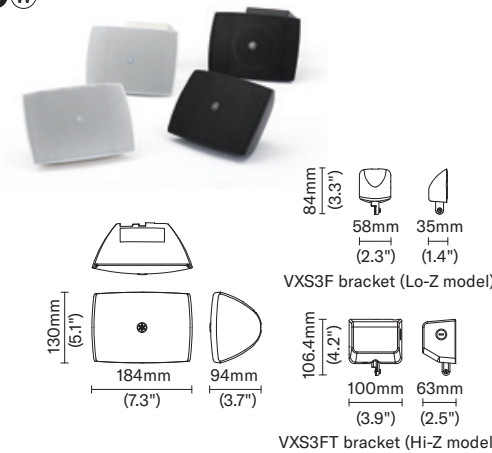
VXS8
B W



VXS5
B W



VXS3F/VXS3FT
B W

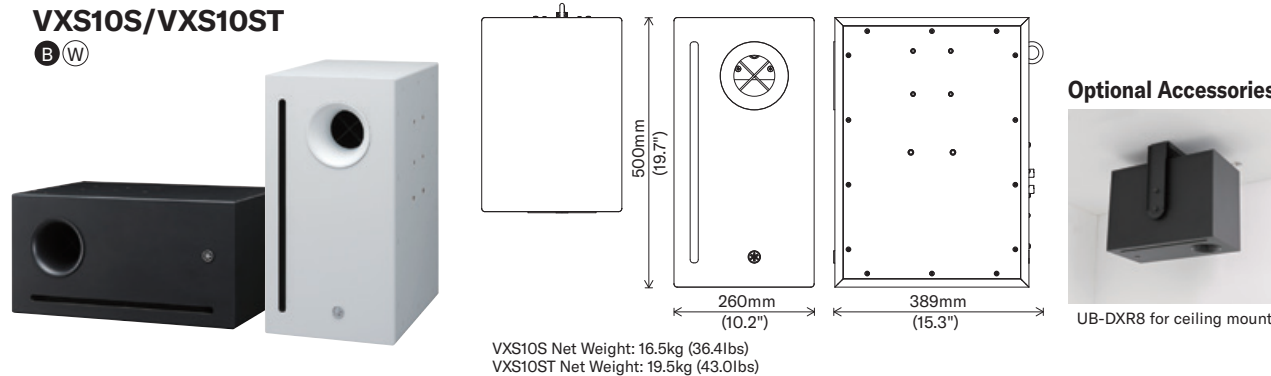


VXS3F Net Weight (with bracket): 1.1kg (2.4lbs),
VXS3FT Net Weight (with bracket): 1.7kg (3.7lbs)
*A transformer is attached to a bracket of the VXS3FT (Hi-Z model)

VXS1ML
B W

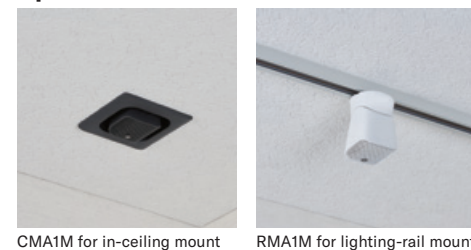


VXS10S/VXS10ST
B W



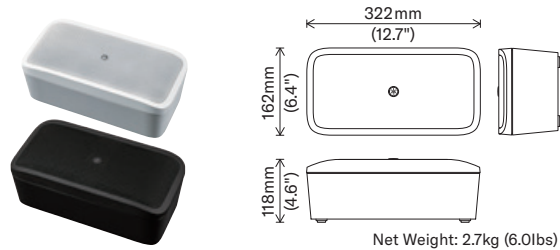
VXS10S Net Weight: 16.5kg (36.4lbs)
VXS10ST Net Weight: 19.5kg (43.0lbs)

Optional Accessories



CMA1M for in-ceiling mount RMA1M for lighting-rail mount

VXS3S
B W



Optional Accessories



CMA3S for in-ceiling mount

*Dedicated mounting bracket is included in each model.

Standard

Compact

Mini

Subwoofer



VXS8



VXS5



VXS3F



VXS1ML



VXS10S



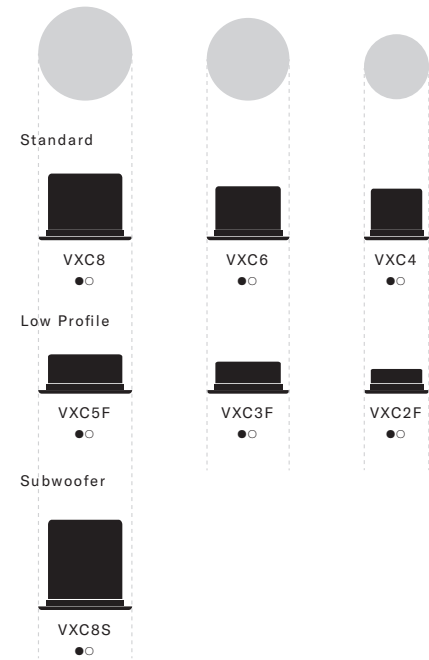
VXS3S

VXS series	VXS8/VXS8W	VA version* (EN54-24 model)	VXS5/VXS5W	VA version* (EN54-24 model)	VXS3F/VXS3FW	VXS3FT/VXS3FTW	VXS1MLB/VXS1MLW	VXS10S/VXS10SW	VXS10ST/VXS10STW	VXS3SB/VXS3SW	
Speaker type	2-way, Bass reflex		2-way, Bass reflex		Full-range, Acoustic suspension		Full-range, Acoustic suspension		Subwoofer, Bass reflex		
Components	LF 8", HF 1"		5.25", 0.75"		3.5"		1.5"		10" Dual Voice Coil		
Crossover frequency	2.8kHz		3kHz		-		-		-		
Frequency range (-10dB)	51Hz - 20kHz		62Hz - 20kHz		130Hz - 20kHz		180Hz - 20kHz		45Hz - 250Hz		
Nominal coverage (Horizontal x Vertical)	H100° x V100°		H120° x V120°		H150° x V160°		H170° x V170°		-		
Power rating	NOISE	90W	75W	75W	20W	-	5W	100W + 100W	-	20W	
	PGM	180W	150W	150W	40W	-	10W	200W + 200W	-	40W	
	PEAK	360W	300W	300W	80W	-	20W	400W + 400W	-	80W	
Nominal impedance	8Ω		8Ω		8Ω		8Ω		8Ω + 8Ω		
Transformer taps	100V	60W, 30W, 15W	30W, 15W, 7.5W		-	15W, 7.5W, 3.8W	-	-	200W, 100W, 50W	15W, 7.5W, 3.8W	
	70V	60W, 30W, 15W, 7.5W	30W, 15W, 7.5W, 3.8W		-	15W, 7.5W, 3.8W, 1.9W	-	-	200W, 100W, 50W, 25W	15W, 7.5W, 3.8W, 1.9W	
SPL	Sensitivity (1W, 1m)	91dB SPL (Half-space)	89dB SPL (Full-space)	89dB SPL (Half-space)	88dB SPL (Full-space)	86dB SPL (Full-space)		79dB SPL (Full-space)	96dB SPL (Half-space)		
	Peak (Calculated, 1m)	117dB SPL	115dB SPL	114dB SPL	113dB SPL	105dB SPL	-	92dB SPL	125dB SPL	98dB SPL	
Satellite filter	-	-	-	-	-	-	-	-	Network filter: HPF 200Hz, 6dB/OCT		
Satellite impedance	-	-	-	-	-	-	-	-	8Ω load per satellite output recommended		
I/O connectors	Euroblock (4 pin)		Ceramic terminal block		Euroblock (4 pin)		Ceramic terminal block		Euroblock (4 pin)		
	Euroblock (4 pin)		Ceramic terminal block		Euroblock (4 pin)		Barrier strip		Euroblock (2 pin)		
	Euroblock (4 pin)		Ceramic terminal block		Euroblock (4 pin)		Barrier strip		Euroblock (2 pin)		
Magnetically shielded	No										
Overload protection	Full-range power limiting to protect network and transducers										
Enclosure material	Cabinet	ABS (UL94 V-0)	ABS (UL94 5VB)	ABS (UL94 V-0)	ABS (UL94 5VB)	ABS (UL94 5VB)	ABS (UL94 V-0)	ABS (UL94 V-0)	MDF	ABS (UL94 V-0)	
	Baffle	PC/ASA	ABS (UL94 5VB)	PC/ASA	ABS (UL94 5VB)	ABS (UL94 5VB)	ABS (UL94 V-0)	ABS (UL94 V-0)	-	ABS (UL94 V-0)	
Grille material	Powder coated perforated aluminum					Powder coated perforated steel					
Finish	Black model	Munsell N3/RAL 9017 (approx.)					Munsell N3/RAL 9017 (approx.)				
	White model	Munsell N9.3/RAL9010 (approx.)					Munsell N9/RAL9010 (approx.)				
Dust and water resistance (IP rating)	IP35**		IP35**		-		-		-		
Dimensions	W278mm (10.9") x H430mm (16.9") x D239mm (9.4")			W176mm (6.9") x H280mm (11.0") x D163mm (6.4")		W184mm (7.3") x H130mm (5.1") x D94mm (3.7")		W62mm (2.4") x H62mm (2.4") x D82mm (3.2")		W260mm (10.2") x H500mm (19.7") x D389mm (15.3")	
Net weight	8.2kg (18.1lbs)			3.6kg (7.9lbs)		1.1kg (2.4lbs)		1.7kg (3.7lbs)		0.17kg (0.37lbs)	
Packaging	Pair		Pair		Pair		Pair		Single		
Certificate	UL1480, NFPA70, CE, EAC, RoHS		EN54-24, CE, RoHS		UL1480, NFPA70, CE, EAC, RoHS		EN54-24, CE, RoHS		UL1480, NFPA70, CE, EAC, RoHS		
EN54-24 DoP number	-		0359-CPR-00406		-		0359-CPR-00406		-		

* VA versions are not available in some regions.
** IP34 when installing the speaker to the ceiling vertically.

In-ceiling Speakers/Subwoofers

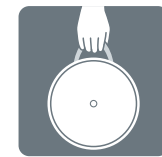
VXC SERIES



Recommended for
Background Music System

Smart Design for Safer, Faster Installation

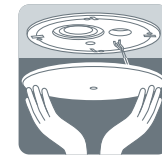
The VXC ceiling speakers come with smart mechanical features that contribute to significantly safer, faster installation. And since these models support both low-impedance and high-impedance connection, the need for extra stock is minimized and systems can be designed to ideally meet the requirements of any application.



Portable
A built-in "Carrying Band" not only makes the speaker easy to carry around, but also increases safety when working on a stepladder.



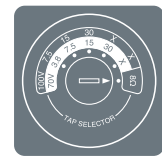
Fast
Double threaded screws used for the speaker clamp mechanism allow the clamps to be tightened twice as fast as conventional screws.



Streamlined
The supplied speaker grilles are firmly and elegantly held in place by powerful magnets. An anti-drop wire is also included.



Secure
An "Anti-Drop Tab" mechanism securely holds the speaker in place so that the installation can proceed safely and efficiently. There's also a release lever that allows the speaker to be smoothly removed from the ceiling as required.



Hi-Z or Lo-Z
Both high-impedance and low-impedance connections are supported, and speaker wattage can be easily switched even after installation.



Paintable
The supplied grilles can be painted any color to match interior decor.

Carrying Band



Anti-Drop Tab



Featured Model

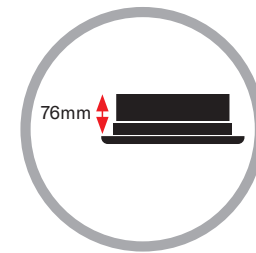
Style and Substance.

Low-profile In-ceiling Speaker
VXC2F (VXC Series F)

Featuring a newly designed speaker driver unit, optimally tuned for music playback, the VXC2F's super slim, lightweight construction and flexible design can easily adapt to the strictest installation limitations, ensuring superb audio performance wherever they're placed. It allows you to streamline the installation process and seamlessly integrate high-quality audio into a restaurant, retail, or professional environment, which proves that style and substance aren't always mutually exclusive.

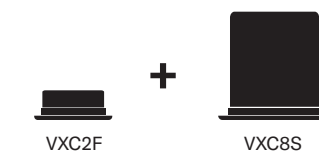
Super Slim Back Can

A back can less than 76.2mm/3 inches deep, which directly contributes to flexible installation.



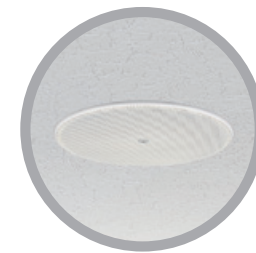
Recommended Subwoofer: VXC8S

Yamaha also offers an in-ceiling subwoofer that ideally matches for VXC series speakers, smoothly extending the low frequency range with superb sonic quality without spoiling interior design.



Streamlined Design

Grilles with minimum rim width, available in black or white, and removable logo.



Pendant-mount Option

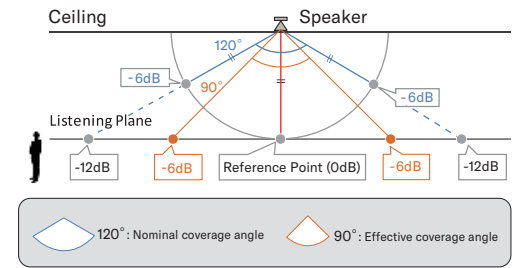
Suspension hardware and loudspeaker cosmetic cover designed for hanging from open ceilings.



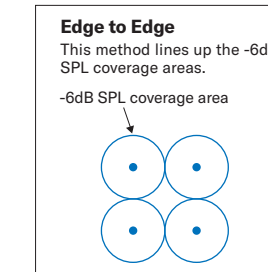
Tips for System Design & Installation

Speaker Layout

It is important to note that the nominal coverage angle listed in ceiling speaker specifications is not the same as the speaker's actual effective coverage angle. SPL at the nominal coverage angle is 6dB lower than the on-axis SPL, measured at a constant distance from the speaker. The effective coverage angle is defined as the angle at which the SPL is 6dB lower than the on-axis SPL at the listening plane. The effective coverage angle is usually about 70~80% of the nominal coverage angle.



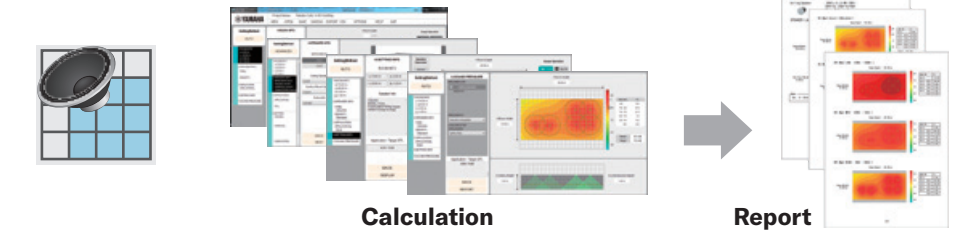
A number of methods can be employed when laying out speaker coverage areas. The "Edge to Edge" method is normally used for background music systems. The chart lists approximate coverage areas at a number of ceiling heights for standing listeners (listener ear height = around 1.5 meters). If the ceiling height is 3 meters, the coverage area will be approximately 4 meters. In this case a ceiling speaker spacing of 4 meters will provide uniform coverage with minimal volume variation.



Ceiling height	2.5m	3.0m	3.5m	4.0m	4.5m
Ceiling speaker spacing	3.0m	4.0m	5.0m	6.0m	7.0m

CISSCA

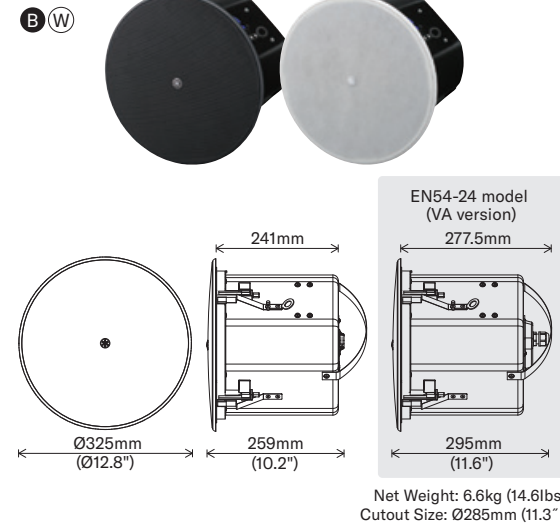
CISSCA, the Commercial Installation Solutions Speaker Calculator, is a Yamaha's dedicated software application that rapidly calculates the number of speakers required for optimum performance in installations, based on the size of the room, type of system, type of speakers, and speaker layout pattern. Output also includes an estimate of effective sound pressure level. CISSCA also has a "Report" function that makes it easy to create documentation. Downloadable from Yamaha website for free.



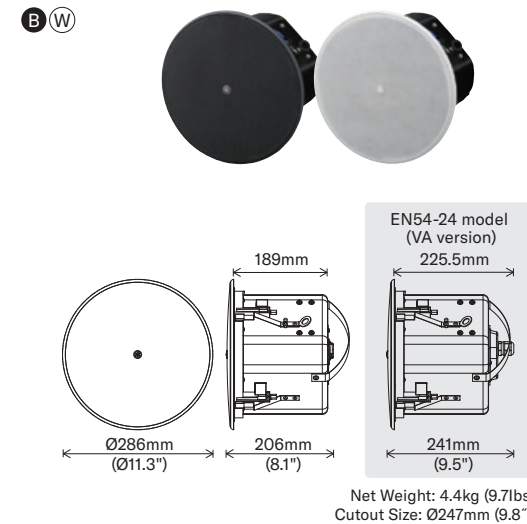
Calculation

Report

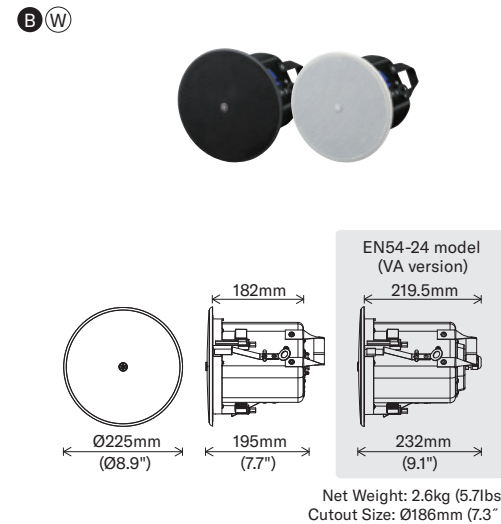
VXC8



VXC6



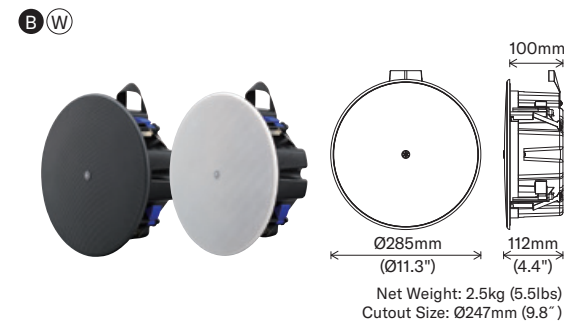
VXC4



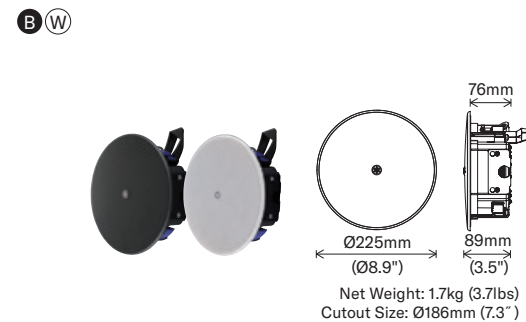
VXC5F



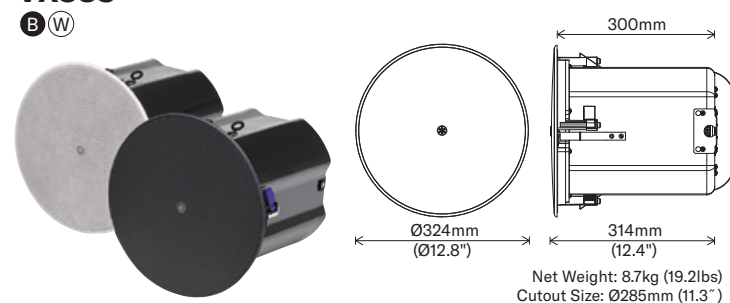
VXC3F



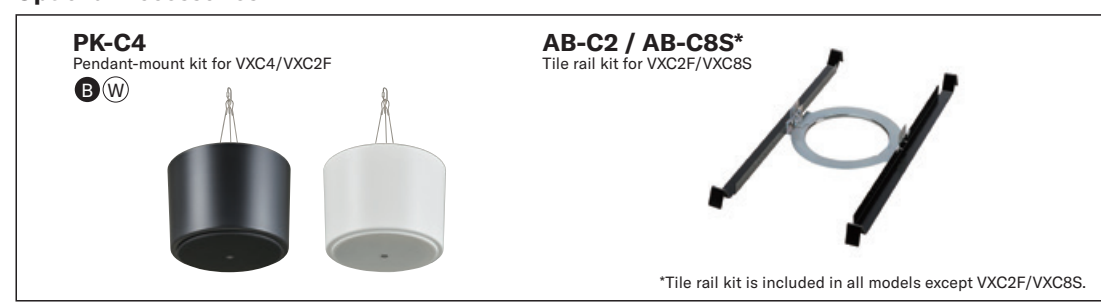
VXC2F



VXC8S



Optional Accessories



Standard



Low Profile



Subwoofer



VXC series	VXC8/VXC8W		VXC6/VXC6W		VXC4/VXC4W		VXC5F/VXC5FW		VXC3F/VXC3FW		VXC2FB/VXC2FW	VXC8SB/VXC8SW	
	VA version* (EN54-24 model)		VA version* (EN54-24 model)		VA version* (EN54-24 model)		VA version* (EN54-24 model)		VA version* (EN54-24 model)				
Speaker type	2-way, Acoustic suspension		2-way, Acoustic suspension		Full-range, Bass reflex		Full-range, Acoustic suspension		Full-range, Bass reflex		Full-range, Bass reflex	Subwoofer, Band pass	
Components	LF	8"	6.5"		4"		4.5"		3.5"		2.5"	8"	
	HF	1"	0.75"										
Crossover frequency	3kHz		3.2kHz		-		-		-		-	-	
Frequency range (-10dB)	55Hz - 20kHz		56Hz - 20kHz		80Hz - 20kHz		60Hz - 20kHz		71Hz - 20kHz		67Hz - 20kHz	44Hz - 200Hz	
Nominal coverage (Conical)	100°		110°		130°		130°		140°		160°	-	
Power rating	NOISE	90W	75W		30W		40W		20W		15W	100W	
	PGM	180W	150W		60W		80W		40W		30W	200W	
	PEAK	360W	300W		120W		160W		80W		60W	400W	
Nominal impedance	8Ω		8Ω		8Ω		8Ω		8Ω		8Ω	8Ω	
Transformer taps	100V	60W, 30W, 15W		60W, 30W, 15W		30W, 15W, 7.5W		30W, 15W, 7.5W		15W, 7.5W, 3.8W		15W, 7.5W, 3.8W, 1.9W	60W, 30W, 15W, 7.5W
	70V	60W, 30W, 15W, 7.5W		60W, 30W, 15W, 7.5W		30W, 15W, 7.5W, 3.8W		30W, 15W, 7.5W, 3.8W		15W, 7.5W, 3.8W, 1.9W		15W, 7.5W, 3.8W, 1.9W, 1W	60W, 30W, 15W, 7.5W, 3.8W
SPL	Sensitivity (1W, 1m)	90dB SPL (Half-space)	89dB SPL (Half-space)		87dB SPL (Half-space)		89dB SPL (Half-space)		87dB SPL (Half-space)		87dB SPL (Half-space)	88dB SPL (Half-space)	
	Peak (Calculated, 1m)	116dB SPL	114dB SPL		111dB SPL		108dB SPL		111dB SPL		109dB SPL	114dB SPL	
I/O connectors	Euroblock (4 pin)	Ceramic terminal block	Euroblock (4 pin)	Ceramic terminal block	Euroblock (4 pin)	Ceramic terminal block	Euroblock (4 pin)	Ceramic terminal block	Euroblock (4 pin)	Ceramic terminal block	Euroblock (4 pin)	Euroblock (4 pin)	
Magnetically shielded	No												
Overload protection	Full-range power limiting to protect network and transducers												
Enclosure material	Cabinet (Back Can)	Steel		Steel		Steel		ABS (UL94 V-0)		ABS (UL94 V-0)		Steel	Steel
	Baffle	HIPS		HIPS		HIPS		ABS (UL94 V-0)		ABS (UL94 V-0)		ABS (UL94 V-0)	ABS (UL94 V-0)
Grille material	Powder coated perforated steel/Trim-ring: ABS (UL94 V-0)												
Finish	Black model	Munsell N3/RAL 9017 (approx.)											
	White model	Munsell N9.3/RAL9010 (approx.)											
Dust and water resistance (IP rating)	-	IP32	-	IP32	-	IP32	-	IP32	-	IP32	-	-	
Dimensions	Ø325mm (12.8") x D259mm (10.2")	Ø325mm (12.8") x D295mm (11.6")	Ø286mm (11.3") x D206mm (8.1")	Ø286mm (11.3") x D241mm (9.5")	Ø225mm (8.9") x D195mm (7.7")	Ø225mm (8.9") x D232mm (9.1")	Ø324mm (12.8") x D143mm (5.7")		Ø285mm (11.3") x D112mm (4.4")		Ø225mm (8.9") x D89mm (3.5")	Ø324mm (12.8") x D314mm (12.4")	
Net weight	6.6kg (14.6lbs)		4.4kg (9.7lbs)		2.6kg (5.7lbs)		3.1kg (6.8 lbs)		2.5kg (5.5 lbs)		1.7kg (3.7lbs)	8.7kg (19.2lbs)	
Packaging	Pair	Pair	Pair	Pair	Pair	Pair	Pair	Pair	Pair	Pair	Single	Single	
Certificate	UL1480, UL2043, NFPA70, CE, EAC, RoHS	EN54-24, CE, RoHS	UL1480, UL2043, NFPA70, CE, EAC, RoHS	EN54-24, CE, RoHS	UL1480, UL2043, NFPA70, CE, EAC, RoHS	EN54-24, CE, RoHS	UL1480, NFPA70, CE, EAC, RoHS	EN54-24, CE, RoHS	UL1480, NFPA70, CE, EAC, RoHS	EN54-24, CE, RoHS	UL1480, NFPA70, CE, EAC, RoHS	UL1480, NFPA70, CE, EAC, RoHS	
EN54-24 DoP number	-	0359-CPR-00405	-	0359-CPR-00405	-	0359-CPR-00405	-	0560-CPR-152190027	-	0560-CPR-152190028	-	-	

* VA versions are not available in some regions.
 ** Specifications of the VXC2F and VXC8S are tentative.



Column-type Line Array Speakers

VXL SERIES



Recommended for
Speech/Presentation System



Sleek. Smart. Sound.

Blending Quality Sound with Visual Elegance

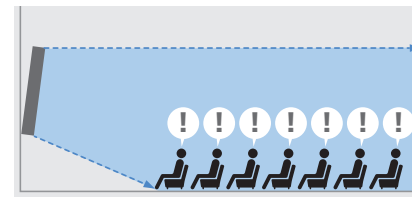
Ultra slim 54mm width appearance thanks to the small 1.5" driver shared with VXS1ML yet redesigned with a large voice coil, delivering distortion-free sound over a broad band of playback frequencies.

54mm



Outstanding Projection and Clear Sound Reinforcement

A line-array configuration significantly reduces the amount of reflection at the ceiling and floor surfaces, which means sound pressure is affected less by distance. As a result, clearer, more consistent sound can be delivered to back-of-house without making front-of-stage excessively loud.



Less Feedback Noise

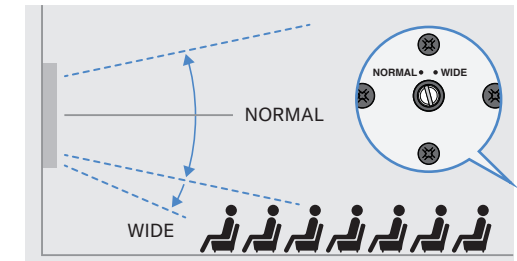
With line-array speakers the per-unit output is smaller than with point-source speakers, meaning that a microphone positioned nearby picks up less sound energy.



Tips for System Design & Installation

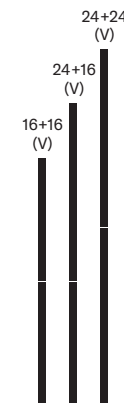
Vertical Coverage Expansion

The VXL1-16 and VXL1-24 feature special rear-panel switches that allow the lower vertical dispersion of the array to be easily expanded without having the angled speakers. This improves coverage at the front of the listening area in situations where the speakers are installed at a high location.



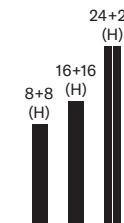
*VXL1-8's vertical dispersion is fixed

Double Speakers



Vertical Coupling

For increased SPL and extra projection.



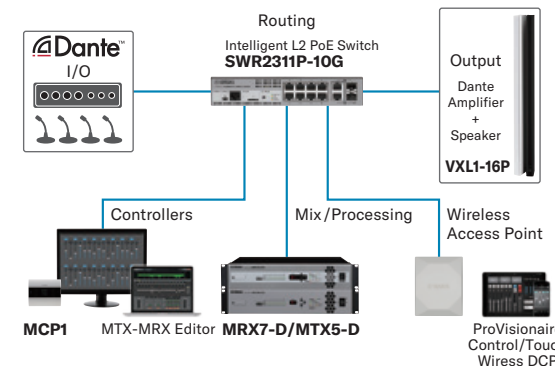
Horizontal Coupling

For increased SPL and more focused coverage that can minimize unwanted reflections from nearby surfaces.



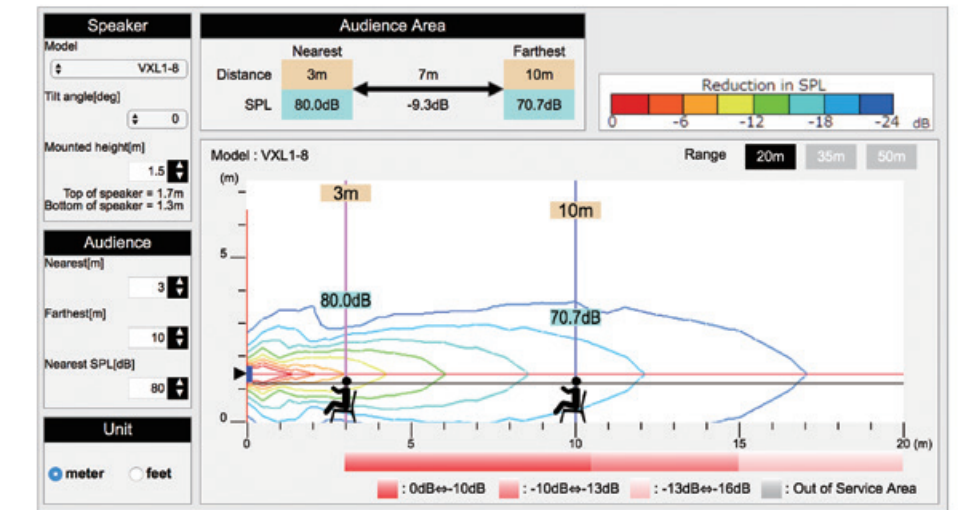
Dante + PoE Solution (VXL1-16P)

With audio distributed via a Dante network and PoE power supplied from a PoE compliant L2 switch, the speaker system can be constructed as a network. Simple wiring via LAN cables, easy installation, and no need for a power amp contribute to the flexibility of installation, allowing you to construct an elegant space-saving sound system.



VXL Selection Assistant

VXL Selection Assistant is a dedicated app available for free on Yamaha website, which is intended to assist the selection of the most appropriate VXL speaker model for speech reproduction applications. The App will provide an indication of whether good amplified sound can be provided across the audience area by calculating the difference in SPL between the nearest and furthest audience members. Good amplified sound can be expected if the SPL range across the audience area is within 10 dB.



The following shows a quick reference guide for appropriate selection of the VXL series.

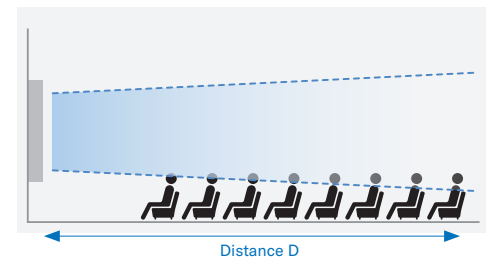
	Distance D
VXL1-8	9.5m (31 feet)
VXL1-16	13.5m (44 feet)
VXL1-24	25m (82 feet)

*Distance from the speaker to the nearest audience: 3m
*Distance from the floor to the bottom of the speaker: 1.1m

For much larger space, the use of double speakers in vertical coupling is recommended.

	Distance D
VXL1-16 + VXL1-16	33m (108 feet)
VXL1-24 + VXL1-16	42m (138 feet)
VXL1-24 + VXL1-24	46m (151 feet)

*Distance from the speaker to the nearest audience: 4m
*Distance from the floor to the bottom of the speaker: 1.1m

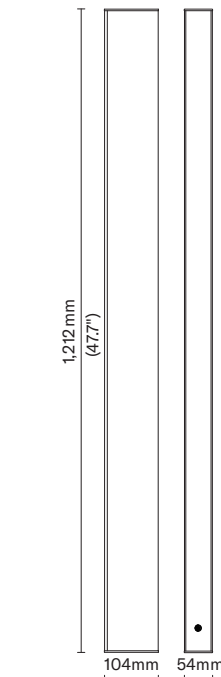


D: Distance from the speaker to the farthest audience*

*The SPL difference between the nearest and the farthest is within 10dB SPL.



VXLI-24
B W



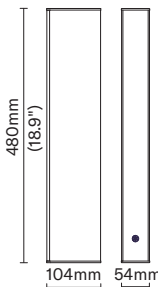
Net Weight: 5.5kg (12.1lbs)

VXLI-16
B W



Net Weight: 3.9kg (8.6lbs)

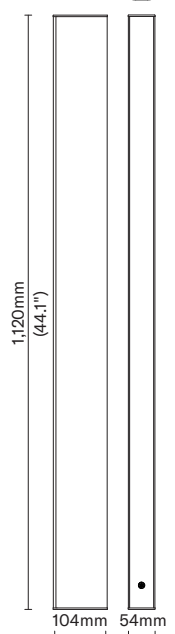
VXLI-8
B W



Net Weight: 2.1kg (4.6lbs)

*Dedicated mounting bracket is included in each model.

VXLI-16P
B W



Net Weight: 5kg (11.0lbs)

Optional Accessories

Accessories	Installation	VXLI-24	VXLI-16	VXLI-8	VXLI-16P	Description
Default (Supplied bracket) B W		✓	✓	✓	✓	For seamless wall mounting. This bracket does not allow angle adjustment.
WMB-L1 B W		✓	✓	✓	✓	Bracket for 2-axis adjustment of a single array.
VCB-L1 B		✓	✓	N/A	N/A	Bracket for vertical mounting of two arrays, for increased SPL and extra projection.
VCSB-L1 B W		✓	✓	N/A	N/A	Bracket for 2-axis adjustment of two vertically linked arrays. The VCB-L1 and WMB-L1 are used together.
HCB-L1 B		✓ with VXLI-24	✓ with VXLI-16	✓ with VXLI-8	✓	Bracket for side-by-side mounting of two arrays, for increased SPL and more focused horizontal dispersion that can minimize unwanted reflections from nearby surfaces.
PA-L1 B		✓	✓	✓	✓	Bracket for pole mounting. Suitable pole size Ø35 mm.
ST-L1 B W		✓	✓	✓	N/A	Transformer box for high-impedance connections. Ideal for multiple speaker layouts.



VXLI-16 with supplied bracket



VXLI-16s in vertical coupling with WMB-L1, VCB-L1, VCSB-L1



VXLI-16s in horizontal coupling with WMB-L1, HCB-L1

Standard



VXLI-24



VXLI-16



VXLI-8

PoE



VXLI-16P

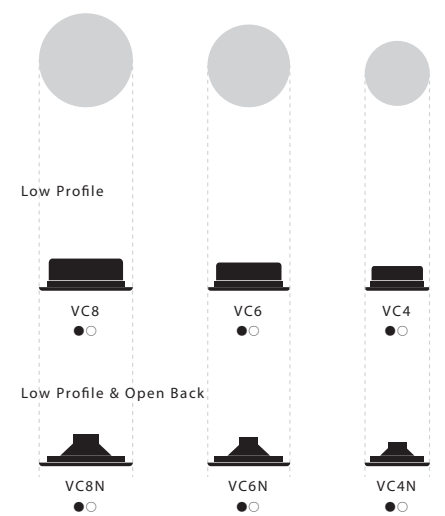
VXL series	VXL1B-24/VXL1W-24	VXL1B-16/VXL1W-16	VXL1B-8/VXL1W-8	VXL1B-16P/VXL1W-16P
Speaker type	Full-range, Bass reflex	Full-range, Bass reflex	Full-range, Bass reflex	Full-range, Bass reflex Powered speaker (PoE)
Components	LF HF	1.5" x 24	1.5" x 16	1.5" x 8
Frequency range (-10dB)	Without port cover With port cover	77Hz - 20kHz 98Hz - 20kHz	81Hz - 20kHz 108Hz - 20kHz	70Hz - 20kHz 110Hz - 20kHz
Nominal coverage (Horizontal x Vertical)	Normal mode Wide mode	H170° x V15° (+7.5 / -7.5) H170° x V20° (+7.5 / -12.5)	H170° x V25° (+12.5 / -12.5) H170° x V30° (+12.5 / -17.5)	H170° x V40° (+20 / -20) -
Power rating	NOISE PGM PEAK	110W 220W 440W	80W 160W 320W	40W 80W 160W
Nominal impedance		8Ω	12Ω	16Ω
Transformer taps	100V 70V	With an optional transformer box (ST-L1): 60W, 30W, 15W With an optional transformer box (ST-L1): 60W, 30W, 15W, 7.5W		
Amplifier type		-	-	Class-D
Power rating (Amp)	Dynamic Continuous	-	-	15W (PoE + (IEEE 802.3 at)), 6W (PoE (IEEE 802.3 af)) 15W (PoE + (IEEE 802.3 at)), 6W (PoE (IEEE 802.3 af))
SPL	Sensitivity (1W, 1m) Peak (Calculated, 1m)	91dB SPL (Half-space) 117dB SPL	91dB SPL (Half-space) 116dB SPL	89dB SPL (Half-space) 111dB SPL 102dB SPL**
I/O connectors		Euroblock (2 pin)	Euroblock (2 pin)	Euroblock (2 pin) RJ45 (Dante)
Magnetically shielded		No		
Protection	Overload protection Speaker processing Amplifier protection Power supply protection	Full-range power limiting to protect network and transducers - - - -		
Cooling		-	-	Clip limiting, Integral power protection Over current protection, Over temperature protection, Under voltage lock out, DC detection, Clock detection
Power requirements		-	-	Over load protection, Over voltage protection, Under voltage lock out Natural convection
Power consumption		-	-	PoE + (IEEE 802.3at), PoE (IEEE 802.3af) Idle: 3W
Enclosure material	Cabinet Bottom board	Aluminum extrusion cabinet ABS (UL94 5VB)		
Grille material		Powder coated perforated aluminum Munsell N3 / RAL 9017 (approx.) Munsell N9 / RAL9010 (approx.)		
Finish	Black model White model			
Dust and water resistance (IP rating)		IP34*	IP34*	IP33*
Dimensions		W54mm (2.1") x H1212mm (47.7") x D104mm (4.1")	W54mm (2.1") x H846mm (33.3") x D104mm (4.1")	W54mm (2.1") x H480mm (18.9") x D104mm (4.1")
Net weight		5.5kg (12.1lbs)	3.9kg (8.6lbs)	2.1kg (4.6lbs)
Packaging		Single	Single	Single
Certificate		CE, RoHS	CE, RoHS	CE, RoHS

* IP35 with port cover

** Measured at 2 m; value converted to 1 m is shown (frequency range: 100Hz - 10kHz) ; IEC noise



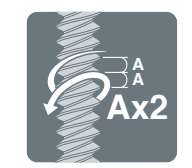
In-ceiling Speakers
VC SERIES



Recommended for
Speech / Background Music System

Premium Sounding Compact Ceiling Speakers at a Non-Premium Price.

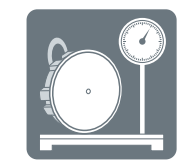
VC series ceiling speakers for commercial installations deliver excellent sound quality at a price point traditionally reserved for economy speakers. A total of six models, three with back cans and three without, feature elegant low-profile designs that can be install easily even in limited ceiling or wall spaces. Large mounting clamps with non-slip treads ensure secure mounting.



Fast
 Double threaded screws used for the speaker clamp mechanism allow the clamps to be tightened twice as fast as conventional screws.



Hi-Z or Lo-Z
 Both high-impedance and low-impedance connections are supported, and speaker wattage can be easily switched even after installation.



Lightweight
 Reduced weight increases installation flexibility while lessening the burden on installation personnel.



Portable
 A built-in "carrying band" not only makes the speaker easy to carry around, but also increases safety when working on a stepladder.
 * VC8B, VC8W, VC6B, VC6W, VC4B, VC4W only



Paintable
 The supplied grilles can be painted any color to match interior decor.

Versatile lineup for a variety of requirements

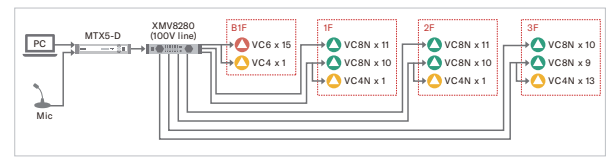
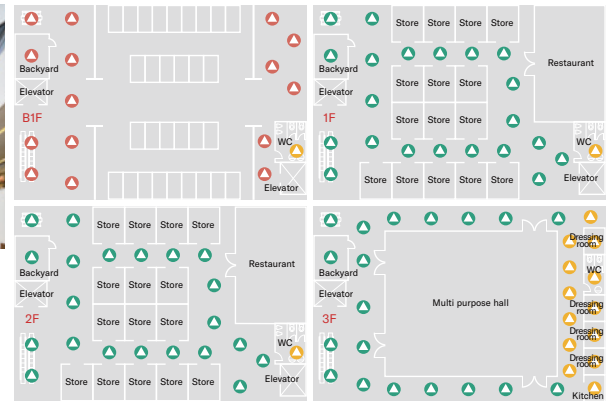


Extremely Low-profile

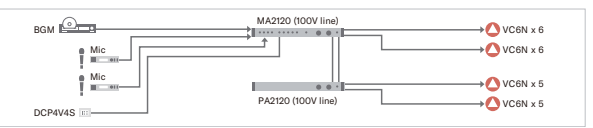
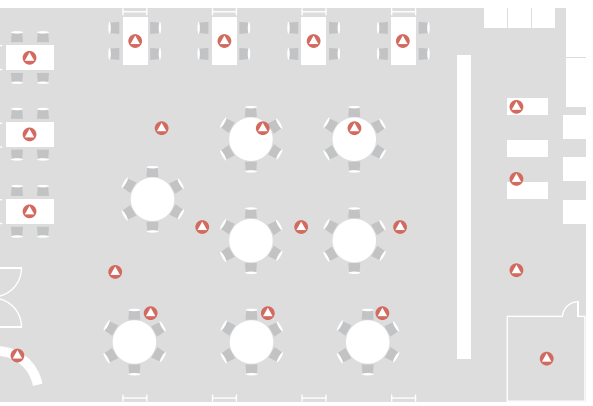


System Example

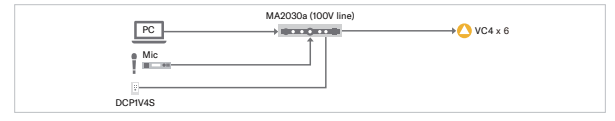
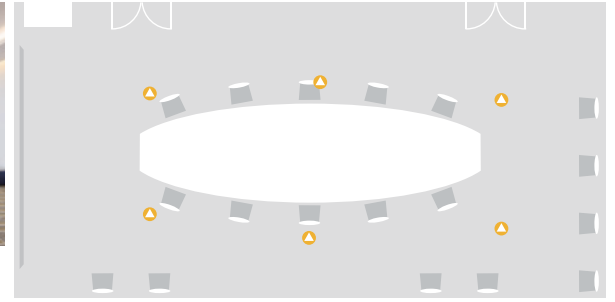
Large Shopping Mall



Restaurant

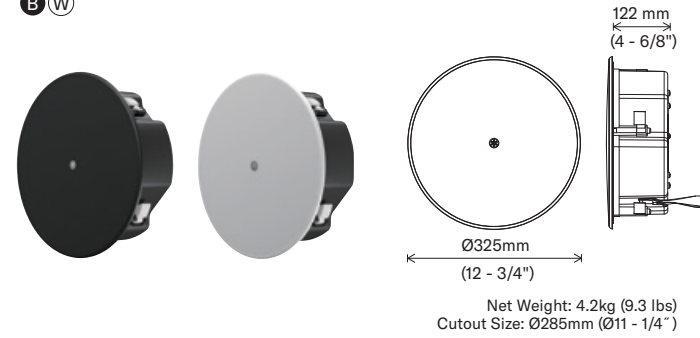


Meeting space



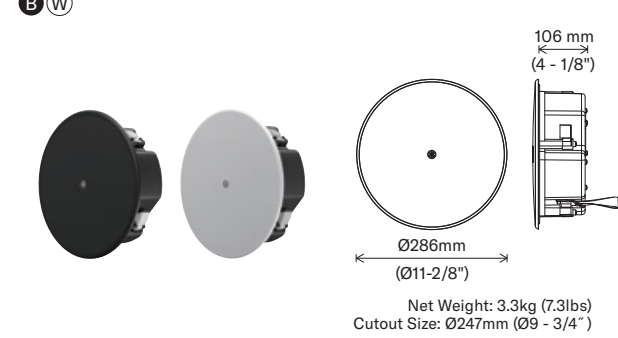
VC8

B W



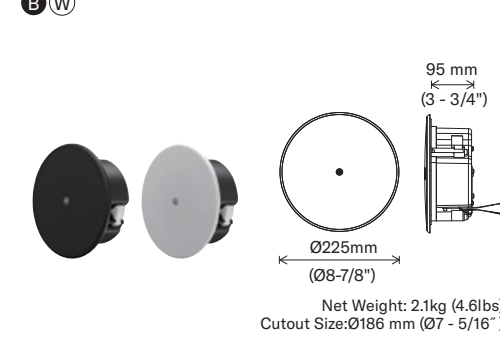
VC6

B W



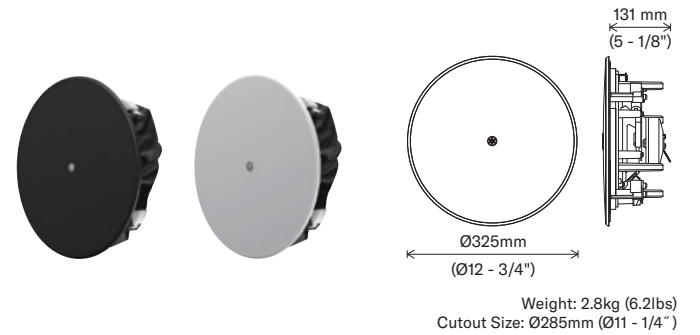
VC4

B W



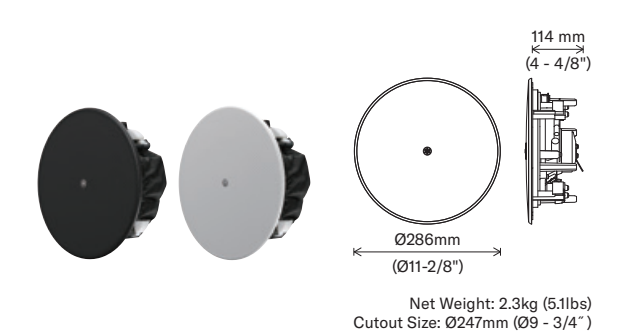
VC8N

B W



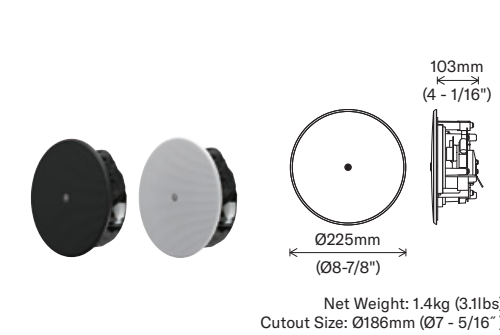
VC6N

B W

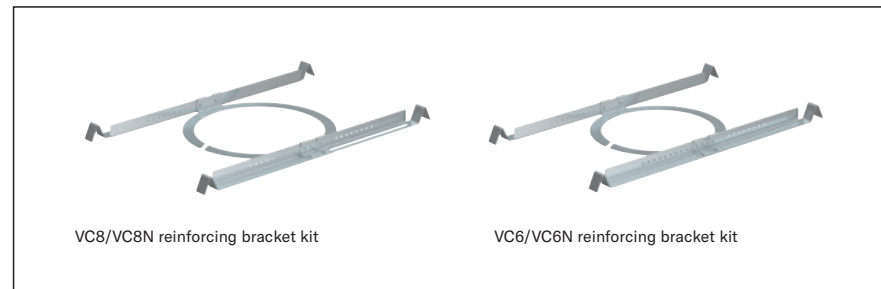


VC4N

B W



Optional Accessories



Low Profile

Low Profile & Open Back



VC/VCN series	VC8B / VC8W	VC6B / VC6W	VC4B / VC4W	VC8NB / VC8NW	VC6NB / VC6NW	VC4NB / VC4NW
Speaker type	2way Coaxial type, Acoustic Suspension					
Frequency range (-10dB)	96Hz - 20kHz (Half-space: 2π)	104Hz - 20kHz (Half-space: 2π)	121Hz - 20kHz (Half-space: 2π)	52Hz - 20kHz (Half-space: 2π)	63Hz - 20kHz (Half-space: 2π)	85Hz - 20kHz (Half-space: 2π)
Nominal coverage (Conical)	110° conical (Half-space 2π)	120° conical (Half-space :2π)	160° conical (Half-space :2π)	110° conical (Half-space 2π)	120° conical (Half-space :2π)	160° conical (Half-space: 2π)
Components	LF 8" Cone HF 1" Soft dome	6.5" Cone 0.8" Soft dome	4" Cone 0.8" Film dome	8" Cone 1" Soft dome	6.5" Cone 0.8" Soft dome	4" Cone 0.8" Film dome
Power rating	NOISE PGM PEAK	25W 50W 100W	15W 30W 60W	25W 50W 100 W	15W 30W 60W	15W 30W 60W
Nominal impedance	16Ω					
Transformer taps	100V 70V	12W, 6W, 3W 12W, 6W, 3W, 1.5W	6W, 3W, 1.5W 6W, 3W, 1.5W, 0.8W	12W, 6W, 3W 12W, 6W, 3W, 1.5W	6W, 3W, 1.5W 6W, 3W, 1.5W, 0.8W	6W, 3W, 1.5W 6W, 3W, 1.5W, 0.8W
SPL	Sensitivity (1W, 1m) Peak (Calculated, 1m)	91dB SPL (Half-space 2π) 111dB SPL (Calculated, 1m)	89dB SPL (Half-space 2π) 109dB SPL (Calculated, 1m)	88dB SPL (Half-space 2π) 106dB SPL (Calculated, 1m)	91dB SPL (Half-space 2π) 111dB SPL (Calculated, 1 m)	89dB SPL (Half-space: 2π) 109dB SPL (Calculated, 1 m) 106dB SPL (Calculated, 1 m)
I/O connectors	Euroblock (4 pin) x1 (input: +/ -, loop - thru: +/ -), Wire size : Min. AWG24 (0.2 sq), Max. AWG12 (3.5 sq)			Push terminal (WAGO 294 /2 pin) x 1, Wire size : Solid conductor Min. AWG18 (0.75 sq) / Max. AWG12 (3.5 sq), Standard conductor Min. AWG18 (0.75 sq) / Max. AWG14 (2 sq)		
Protection circuit	Load protection Full-range power limiting to protect network and transducers					
Finish	Black model Munsell N3 (approx.) White model Munsell N9.3 (approx.)					
Dimensions	325mm (12 - 3/4") x D122mm (4 - 6/8")	286mm (11 - 2/8") x 106mm (4 - 1/8")	225mm (8 - 7/8") x 95mm (3 - 3/4")	325mm (12 - 3/4") x 131mm (5 - 1/8")	286mm (11 - 2/8") x 114mm (4 - 4/8")	225mm (8 - 7/8") x 103mm (4 - 1/16")
Net weight	4.2kg (9.3 lbs)	3.3kg (7.3 lbs)	2.1kg (4.6 lbs)	2.8kg (6.2 lbs)	2.3kg (5.1 lbs)	1.4kg (3.1 lbs)
Cutout size	Ø285mm (Ø11-1/4")	Ø247mm (Ø9-3/4")	Ø186mm (Ø7-5/16")	Ø285mm (Ø11 - 1/4")	Ø247mm (Ø9 - 3/4")	Ø186mm (Ø7 - 5/16")
Required ceiling board thickness	2 mm - 37 mm					
Accessories	C-Ring, Tile Rails x 2, Grille, Safety wire, Cutout template, Owner's Manual		Grille, Safety wire, Cutout template, Owner's Manual	C-Ring, Tile Rails x 2, Grille, Safety wire, Cutout template, Owner's Manual		Grille, Safety wire, Cutout template, Owner's Manual
Packaging	Single package					
Certificate	UL1480, UL2043, NFPA70, CE, EAC, RoHS	UL1480, NFPA70, CE, EAC, RoHS	UL1480, NFPA70, CE, EAC, RoHS	UL1480, UL2043, NFPA70, CE, EAC, RoHS	UL1480, NFPA70, CE, EAC, RoHS	UL1480, NFPA70, CE, EAC, RoHS
Options	-		AB-C2: C-ring + Tile Rail kit	-		AB-C2: C-ring + Tile Rail kit

