

Overview

Wall mount control panel for MTX/MRX series with LCD screen. Easy connection by Ethernet cable.



Rear Panel

Features

- 6 buttons can be assigned to any functions *MTX/MRX series functions (components) are specified via the MTX-MRX Editor
- Multi-language displays supported
- Four user levels for access management
- Up to 16 units can be connected per system
- PoE powered
- Back can adapter supplied

Specifications

General Specifications

Dimensions (W x H x D)	149mm x 125mm x 18mm (5.9" x 4.9" x 0.7") (when embedded in the wall) 152mm x 128mm x 46mm (6.0" x 5.0" x 1.8") (with a surface mount box)
Weight	0.6kg (1.3lbs) (with a surface mount box) 0.5kg (1.1lbs) (without a surface mount box)
Power Supply Voltage	Power supplied via PoE (IEEE 802.3af)
Power Consumption	4.8 W max.
Operating Temperature Range	0°C – 40°C
Storage Temperature Range	-20°C – 60°C
Maximum Number of Units Usable Simultaneously	Up to 16 MCP1 units can be installed per system (There are limits on the total number of units within a system that includes other devices)
Included Items	Mounting plate, Surface mount box, Side panels (Two), Screws (2 kinds / Each 4 pcs.), Installation Manual
Separately Sold Option	None

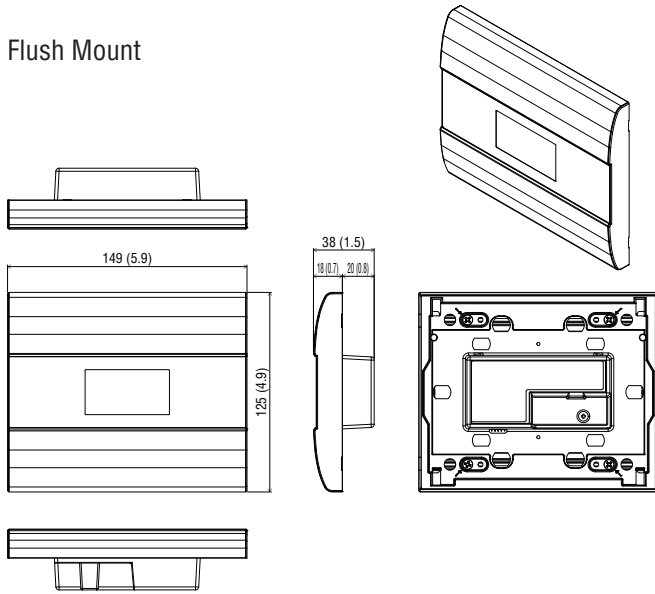
Connector Specifications

Format	NETWORK port: 10Base-T/100Base-TX
Cable Specifications	NETWORK port: CAT5e or better Ethernet STP cable

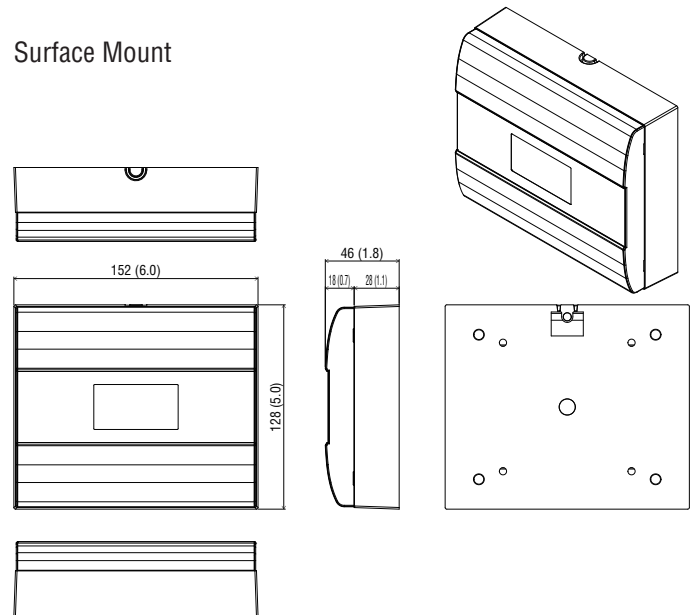
Dimensions

Unit: mm (inch)

Flush Mount



Surface Mount



Software

- MTX-MRX Editor

Architectural and Engineering Specifications

The MCP1 shall be a wall-mount remote control panel for audio installations in which central routing and processing is provided by Yamaha MTX/MRX series signal processors. The MCP1 shall provide a home button and six selector buttons that can be assigned to available functions such as volume control, on/off switching, preset recall, or playback of pre-recorded music or announcements stored on an SD memory card installed in the associated MTX/MRX signal processor. The MCP1 shall include an LCD screen that displays the control parameters assigned to each selector button. The MCP1 LCD screen shall support multiple display languages. Control parameters shall be assignable and configurable via the MTX-MRX Editor software application running on a Windows computer. In addition to directly recalling the home page, the home button shall provide access to a number of utility functions such as LCD brightness/contrast and basic network settings. It shall be possible to connect up to 16 MCP1 units to an MTX/MRX system, allowing remote control from multiple locations. Connection between MCP1 units and the MTX/MRX system shall be made via a single Ethernet cable per unit, connected to a PoE network switch connected to the MTX/MRX network or Dante port. If a network switch that does not support PoE is used, a PoE injector should be inserted between each MCP1 unit and the network switch. Dimensions of the MCP1 shall be 149 (W) x 125 (H) x 18 (D) millimeters when flush mounted in a wall, or 152 (W) x 128 (H) x 46 (D) millimeters when mounted in the supplied surface mount box. Weight shall be 0.5 kg without surface mount box, or 0.6 kg with surface mount box.

*All information subject to change without notice.

*All trademarks and registered trademarks are property of their respective owners.

Created in April, 2018

YAMAHA CORPORATION
P.O.BOX 1, Hamamatsu Japan
www.yamaha.com/proaudio/